

SERIES V4R TELESCOPING VALVE



www.HallidayProducts.com
 Phone: (800) 298-1027
 Local: (407) 298-4470
 Sales@HallidayProducts.com

STANDARD FEATURES:

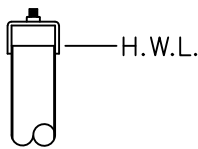
- T-304 STAINLESS STEEL CONSTRUCTION
 (NOT AVAILABLE IN T-316 S.STL.)
- RISING STEM DESIGN
- 16" (406 MM) DIAMETER ALUMINUM HANDWHEEL
- 1" (25 MM) STAINLESS STEEL RACK W/S.STL. PINION
- OIL-IMPREGNATED SINTERED BRONZE BEARING
- CLEAR STEM COVER WITH CALIBRATION STRIP
- 150# S.STL. COMPANION FLANGE
- 1/4" (7 MM) THICK NEOPRENE WIPE GASKET (2)
- 3 YEAR GUARANTEE

REQUIRED INFORMATION:

- BASE PLATE ELEVATION
- OFFSET - IF REQUIRED
- HIGH WATER ELEVATION
- SLIDE PIPE MODEL (501, 502, 503)
- LENGTH OF TRAVEL
- EXISTING RISER PIPE SIZE

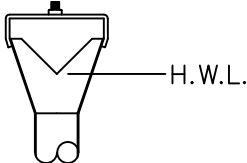
MODEL 501

SLIDE PIPE



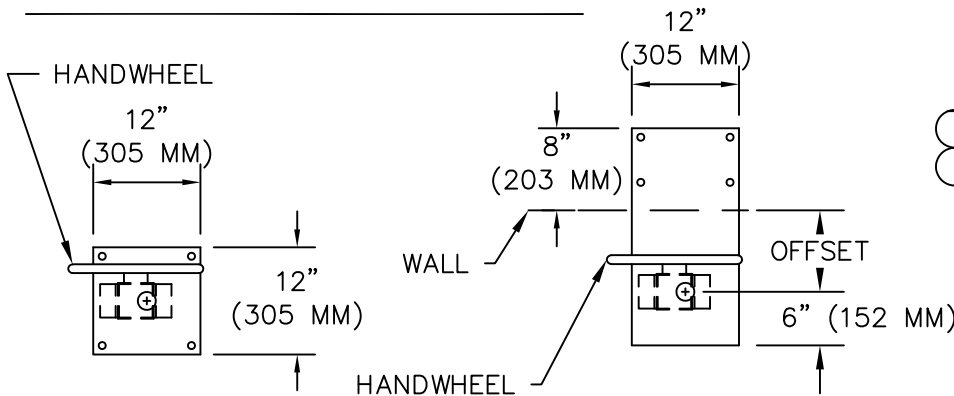
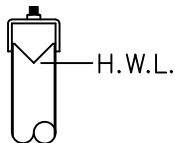
MODEL 502

SLIDE PIPE WITH CONE "V" WEIR TOP



MODEL 503

SLIDE PIPE WITH "V" WEIR TOP



SQUARE BASE

(3/8" (10 MM) S.STL. PLATE)

OFFSET BASE

(1/2" (13 MM) S.STL. PLATE)

