

SERIES V4A TELESCOPING VALVE



www.HallidayProducts.com
 Phone: (800) 298-1027
 Local: (407) 298-4470
 Sales@HallidayProducts.com

STANDARD FEATURES:

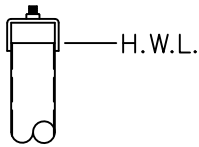
- T-304 STAINLESS STEEL CONSTRUCTION
 (NOTE: NOT AVAILABLE IN T-316 S.STL.)
- NON-RISING STEM DESIGN
- 16" (406 MM) DIAMETER ALUMINUM HANDWHEEL
- ϕ 1 1/8 (ϕ 29 MM) S.STL. TRIPLE LEAD ACME ROD
- BRASS LIFTING NUT
- POLYMER BEARING PADS
- 150# S.STL. COMPANION FLANGE
- 1/4" (7 MM) THICK NEOPRENE WIPE GASKET (2)
- 3 YEAR GUARANTEE

REQUIRED INFORMATION:

- BASE PLATE ELEVATION
- OFFSET - IF REQUIRED
- HIGH WATER ELEVATION
- SLIDE PIPE MODEL (501, 502, 503)
- LENGTH OF TRAVEL
- EXISTING RISER PIPE SIZE

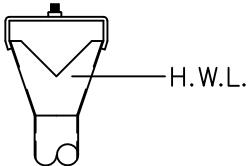
MODEL 501

SLIDE PIPE



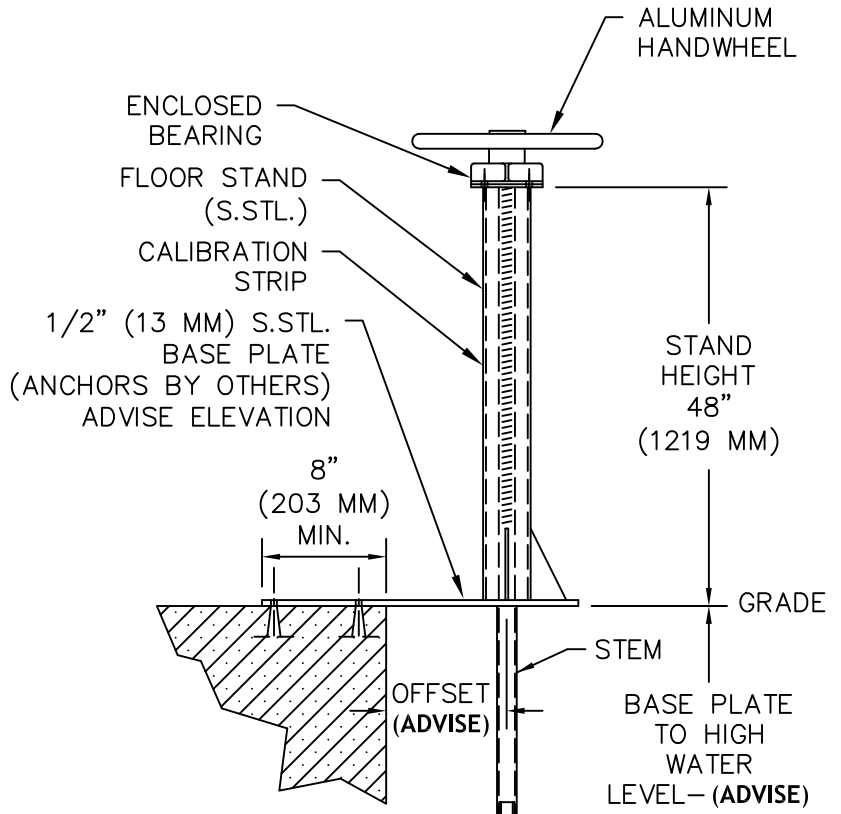
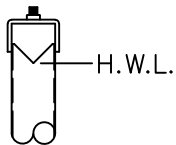
MODEL 502

SLIDE PIPE WITH CONE "V" WEIR TOP



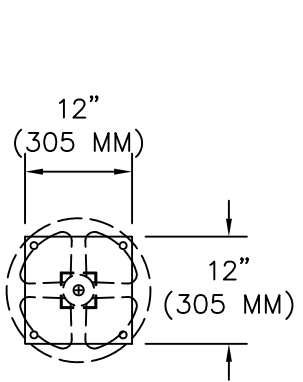
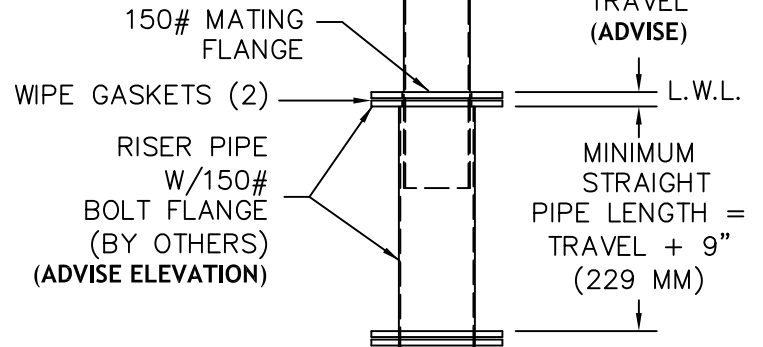
MODEL 503

SLIDE PIPE WITH "V" WEIR TOP

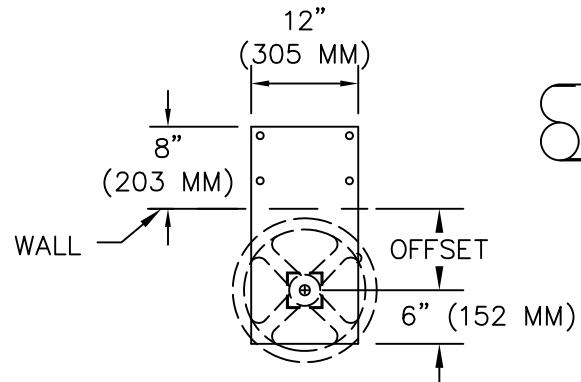


MODEL 501

SLIDE PIPE SHOWN



SQUARE BASE
 (3/8" (10 MM) S.STL. PLATE)



OFFSET BASE
 (1/2" (13 MM) S.STL. PLATE)

ELEVATION