

SERIES W2S ACCESS DOOR



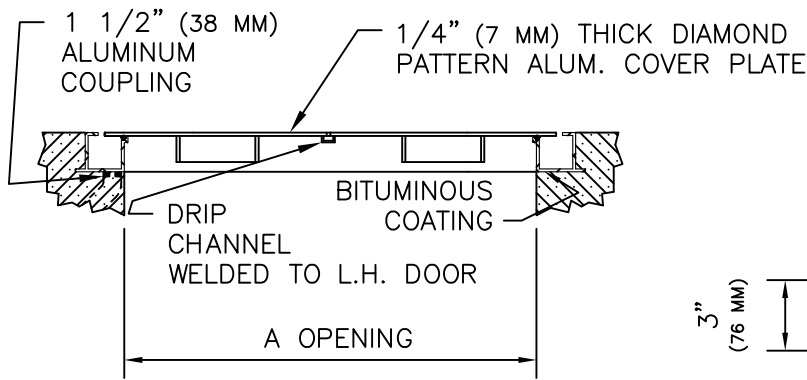
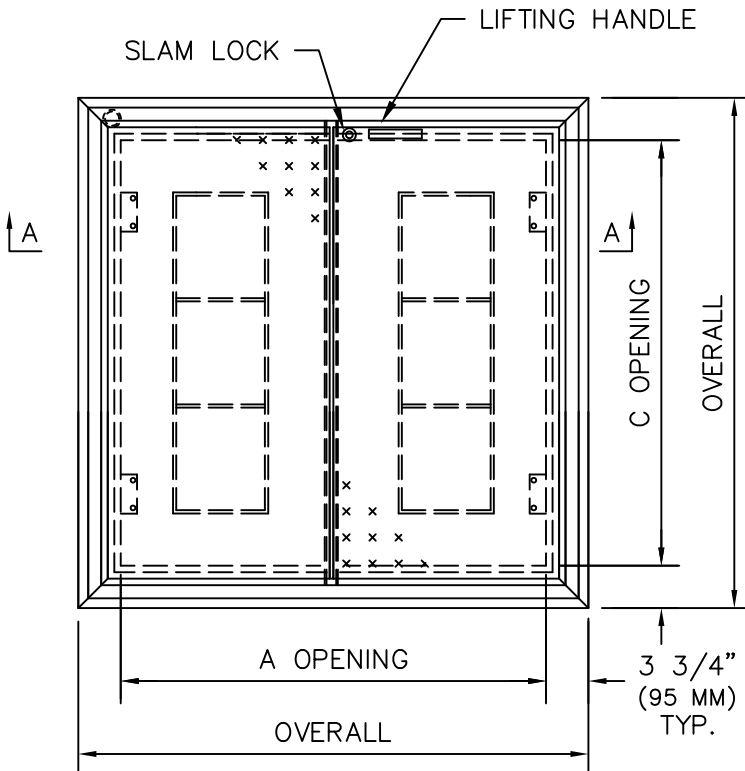
www.HallidayProducts.com
 Phone 800-298-1027
 Fax 407-298-4534
 Sales@HallidayProducts.com

STANDARD FEATURES:

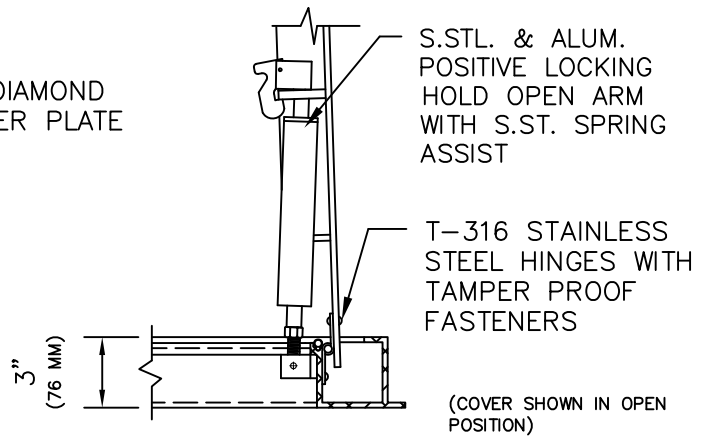
- AUTO-LOCK T-316 STAINLESS STEEL HOLD OPEN ARM WITH RELEASE HANDLE
- T-316 STAINLESS STEEL HINGES AND ATTACHING HARDWARE
- T-316 STAINLESS STEEL SLAM LOCK WITH REMOVABLE KEY
- STAINLESS STEEL COMPRESSION SPRING ASSIST
- BUILT-IN NEOPRENE CUSHION/GASKET
- NON-OZONE DEPLETING BITUMINOUS COATING
- DOUBLE LEAF CONSTRUCTION
- 300 LBS. PER SQ. FT. LOAD RATING
(1464 KG. PER SQ. METER LOAD RATING)
- EXTRUDED ALUMINUM CHANNEL FRAME
- RECESSED LIFTING HANDLE
- LIFETIME GUARANTEE

STANDARD SIZES

QTY.	MODEL NO.	A DIM. INCHES (MM)	C DIM. INCHES (MM)	UNIT WT. LBS. (KG.)
	W2S4242	42 (1067)	42 (1067)	108 (48)
	W2S4842	48 (1219)	42 (1067)	115 (52)
	W2S4848	48 (1219)	48 (1219)	126 (57)
	W2S5442	54 (1372)	42 (1067)	124 (56)
	W2S5448	54 (1372)	48 (1219)	136 (62)
	W2S5454	54 (1372)	54 (1372)	149 (68)
	W2S6030	60 (1524)	30 (762)	102 (46)
	W2S6036	60 (1524)	36 (914)	116 (53)
	W2S6042	60 (1524)	42 (1067)	132 (60)
	W2S6048	60 (1524)	48 (1219)	148 (67)
	W2S6054	60 (1524)	54 (1372)	162 (73)
	W2S6060	60 (1524)	60 (1524)	177 (80)
	W2S6636	66 (1676)	36 (914)	126 (57)
	W2S6648	66 (1676)	48 (1219)	160 (73)
	W2S7236	72 (1829)	36 (914)	135 (61)
	W2S7242	72 (1829)	42 (1067)	154 (70)
	W2S7248	72 (1829)	48 (1219)	171 (78)
	W2S7254	72 (1829)	54 (1372)	188 (85)
	W2S7260	72 (1829)	60 (1524)	203 (92)



SECTION A-A



DETAIL