

# SERIES V4R TELESCOPING VALVE



www.HallidayProducts.com  
 Phone 800-298-1027  
 Fax 407-298-4534  
 Sales@HallidayProducts.com

## STANDARD FEATURES:

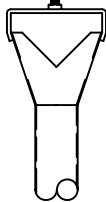
- STAINLESS STEEL CONSTRUCTION
- RISING STEM DESIGN
- 1" (25 MM) STAINLESS STEEL RACK W/S.STL. PINION
- OIL-IMPREGNATED SINTERED BRONZE BEARING
- 16" (406 MM) DIAMETER ALUMINUM HANDWHEEL
- CLEAR STEM COVER WITH CALIBRATION STRIP
- 150# S.STL. COMPANION FLANGE
- 1/4" (7 MM) THICK NEOPRENE WIPE GASKET
- 3 YEAR GUARANTEE

## REQUIRED INFORMATION:

- BASE PLATE ELEVATION
- OFFSET
- HIGH WATER ELEVATION
- SLIDE PIPE MODEL (501, 502, 503)
- LENGTH OF TRAVEL
- TOP OF RISER PIPE ELEVATION
- EXISTING RISER PIPE SIZE

### MODEL 502

SLIDE PIPE WITH CONE "V" WEIR TOP



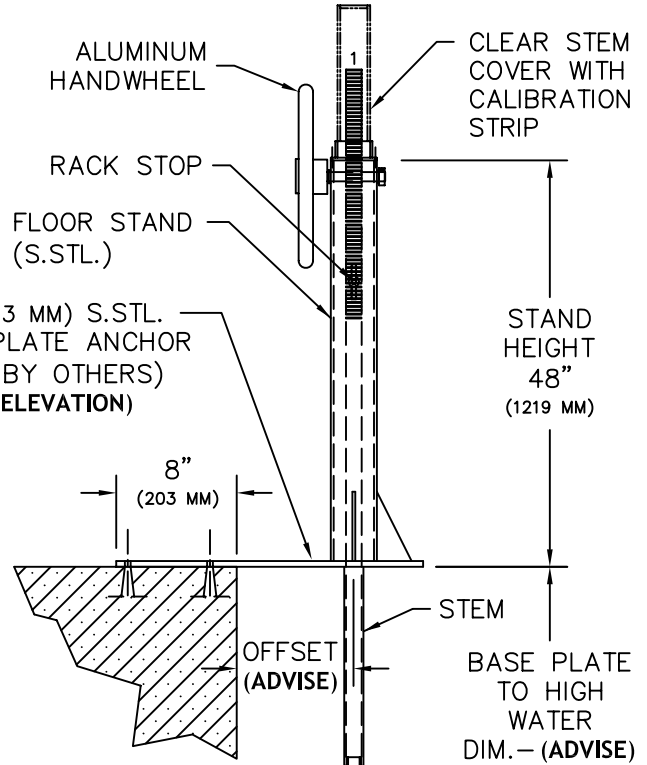
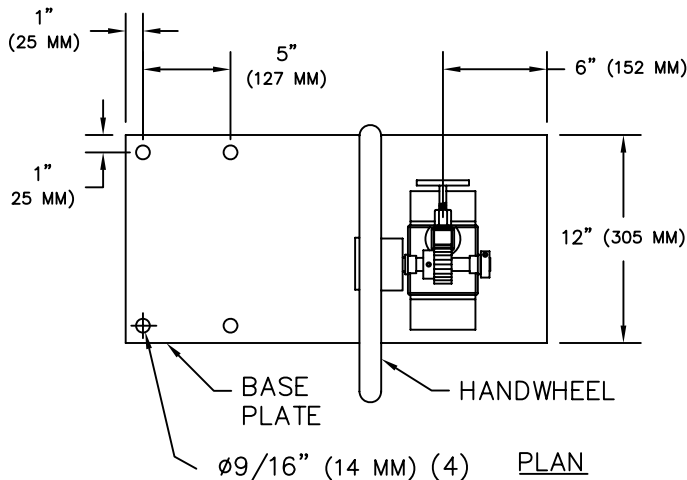
ELEVATION

### MODEL 503

SLIDE PIPE WITH "V" WEIR TOP

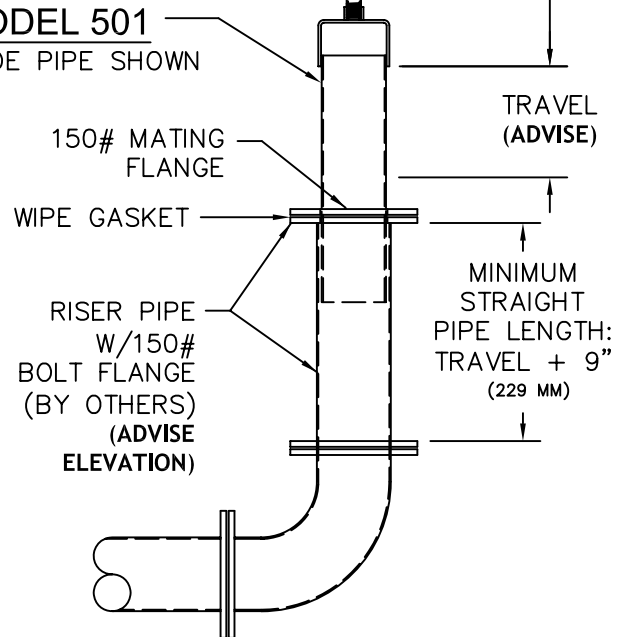


ELEVATION



### MODEL 501

SLIDE PIPE SHOWN



ELEVATION