

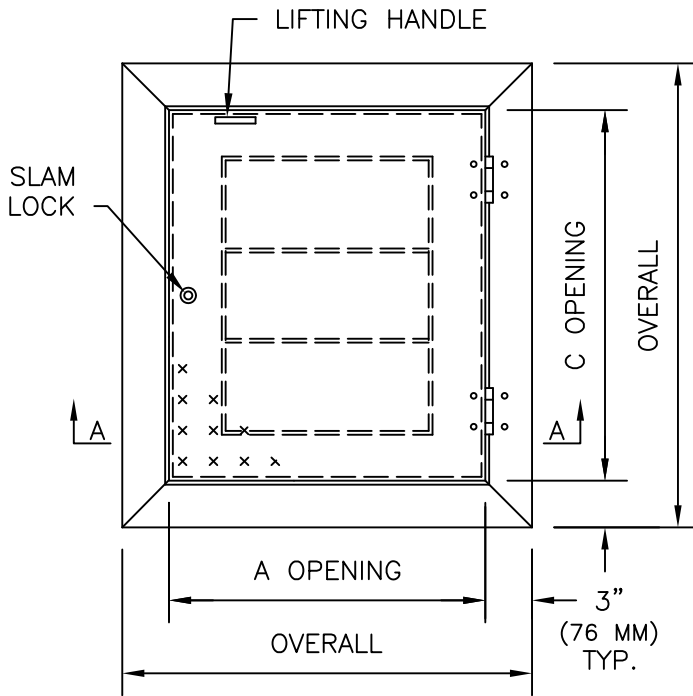
SERIES S1S ACCESS DOOR



www.HallidayProducts.com
 Phone 800-298-1027
 Fax 407-298-4534
 Sales@HallidayProducts.com

STANDARD FEATURES:

- AUTO-LOCK T-316 STAINLESS STEEL HOLD OPEN ARM WITH RELEASE HANDLE
- T-316 STAINLESS STEEL HINGES AND ATTACHING HARDWARE
- T-316 STAINLESS STEEL SLAM LOCK WITH REMOVABLE KEY
- STAINLESS STEEL COMPRESSION SPRING ASSIST
- BUILT-IN NEOPRENE CUSHION/GASKET
- NON-OZONE DEPLETING BITUMINOUS COATING
- SINGLE LEAF CONSTRUCTION
- 300 LBS. PER SQ. FT. LOAD RATING (1464 KG. PER SQ. METER LOAD RATING)
- EXTRUDED ALUMINUM FRAME
- RECESSED LIFTING HANDLE
- LIFETIME GUARANTEE



STANDARD SIZES

QTY.	MODEL NO.	A DIM. INCHES (MM)	C DIM. INCHES (MM)	UNIT WT. LBS. (KG.)
	S1S2424	24 (610)	24 (610)	37 (17)
	S1S2430	24 (610)	30 (762)	42 (19)
	S1S2436	24 (610)	36 (914)	48 (22)
	S1S2442	24 (610)	42 (1067)	55 (25)
	S1S2448	24 (610)	48 (1219)	61 (28)
	S1S3030	30 (762)	30 (762)	49 (22)
	S1S3036	30 (762)	36 (914)	57 (26)
	S1S3042	30 (762)	42 (1067)	64 (29)
	S1S3048	30 (762)	48 (1219)	71 (32)
	S1S3054	30 (762)	54 (1372)	79 (36)
	S1S3060	30 (762)	60 (1524)	87 (39)
	S1S3636	36 (914)	36 (914)	65 (25)
	S1S3642	36 (914)	42 (1067)	79 (36)
	S1S3648	36 (914)	48 (1219)	85 (39)
	S1S3654	36 (914)	54 (1372)	91 (41)
	S1S3660	36 (914)	60 (1524)	100 (45)
	S1S3666	36 (914)	66 (1676)	109 (49)
	S1S3672	36 (914)	72 (1829)	116 (53)
	S1S4242	42 (1067)	42 (1067)	93 (42)

