

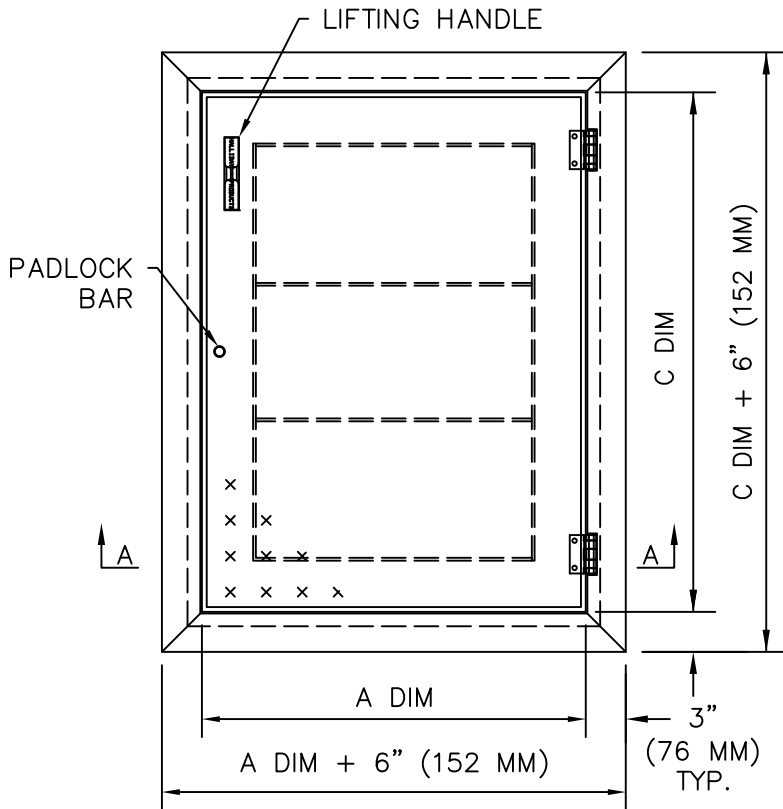
# SERIES S1R ACCESS DOOR



www.HallidayProducts.com  
 Phone: (800) 298-1027  
 Local: (407) 298-4470  
 Sales@HallidayProducts.com

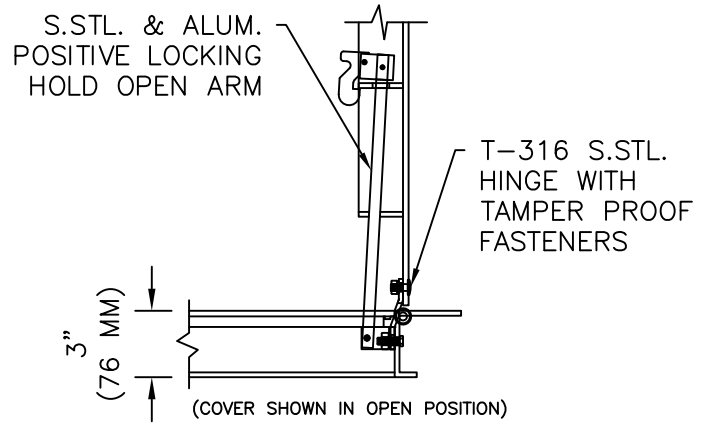
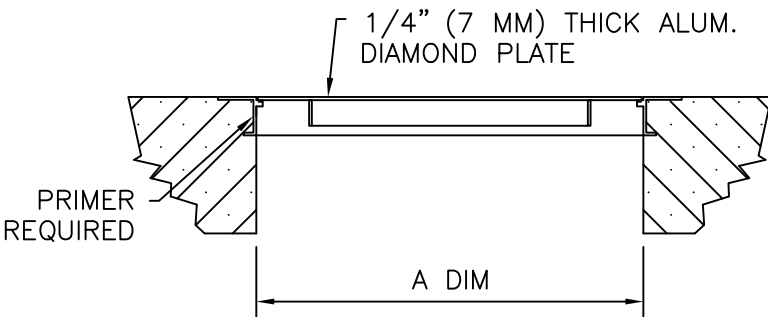
## STANDARD FEATURES:

- 300 LBS. PER SQ. FT. LOAD RATING (1464 KG PER SQ. METER LOAD RATING)
- EXTRUDED ALUMINUM ANGLE FRAME
- SINGLE LEAF CONSTRUCTION
- AUTO-LOCK T-316 STAINLESS STEEL HOLD OPEN ARM WITH RELEASE HANDLE
- T-316 STAINLESS STEEL HINGES AND ATTACHING HARDWARE
- NON-CORROSIVE PADLOCK BAR
- RECESSED LIFTING HANDLE
- LIFETIME GUARANTEE



## STANDARD SIZES

QTY.	MODEL NO.	A DIM INCHES (MM)	C DIM INCHES (MM)	UNIT WT. LBS. (KG)
	S1R2424	24 (610)	24 (610)	37 (17)
	S1R2430	24 (610)	30 (762)	42 (19)
	S1R2436	24 (610)	36 (914)	48 (22)
	S1R2442	24 (610)	42 (1067)	55 (25)
	S1R2448	24 (610)	48 (1219)	61 (28)
	S1R3030	30 (762)	30 (762)	49 (22)
	S1R3036	30 (762)	36 (914)	57 (26)
	S1R3042	30 (762)	42 (1067)	64 (29)
	S1R3048	30 (762)	48 (1219)	71 (32)
	S1R3054	30 (762)	54 (1372)	79 (36)
	S1R3060	30 (762)	60 (1524)	87 (39)
	S1R3636	36 (914)	36 (914)	65 (25)
	S1R3642	36 (914)	42 (1067)	79 (36)
	S1R3648	36 (914)	48 (1219)	85 (39)
	S1R3654	36 (914)	54 (1372)	91 (41)
	S1R3660	36 (914)	60 (1524)	100 (45)
	S1R3666	36 (914)	66 (1676)	109 (49)
	S1R3672	36 (914)	72 (1829)	116 (53)
	S1R4242	42 (1067)	42 (1067)	93 (42)



SECTION A-A

DETAIL