

SERIES DN
ADJUSTABLE-REACH
PORTABLE MAST HOIST

TABLE OF CONTENTS
V e n d o r D a t a
Application and Specification
Operation and Maintenance Instructions
Limited Warranty

VENDOR DATA

**HALLIDAY PRODUCTS, INC.
6401 Edgewater Drive
Orlando, FL 32810**

Phone: 407-298-4470 - Fax: 407-298-4534

Toll Free: 800-298-1027

Email: marketing@HallidayProducts.com

Web Site at www.HallidayProducts.com

Armond Bordeau, Contact

Series DN Adjustable-Reach Portable Mast Hoist

APPLICATION:

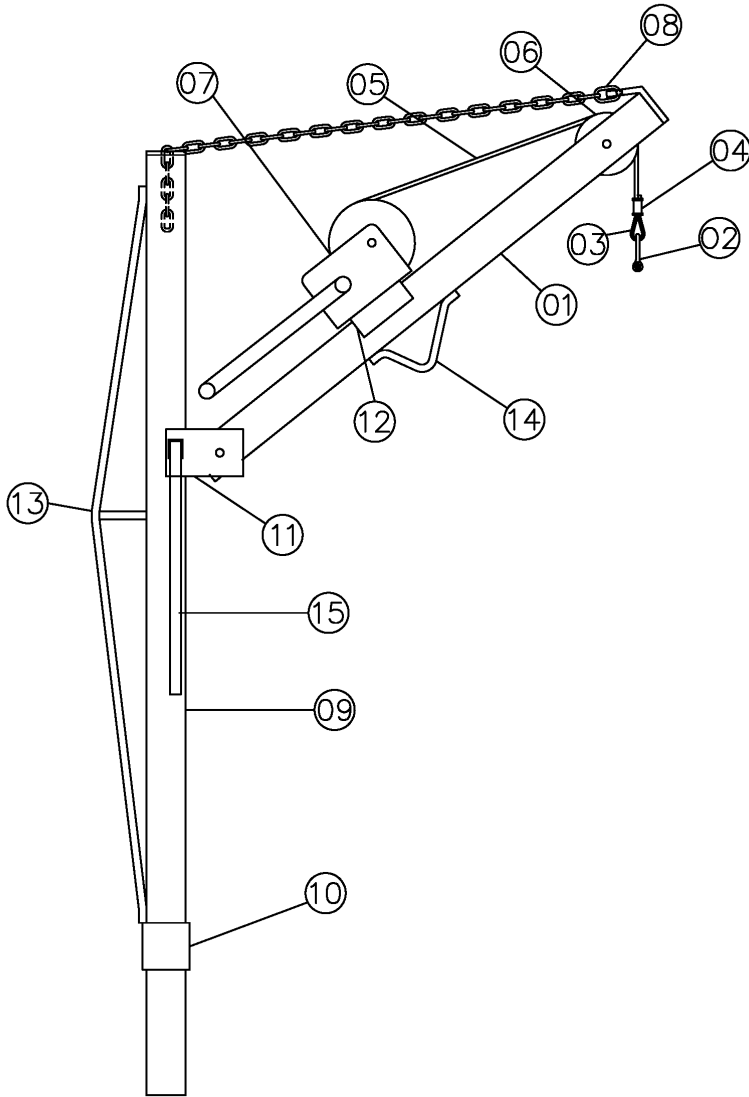
The adjustable-reach series DN stainless steel portable hoist is commonly used to raise and lower pumps and other equipment at wet well locations. Unit is supplied with a marine grade manually operated brake winch with 30 feet of ¼ inch stainless steel cable and shackle. The adjustable reach is from 24 to 36 inches in 1 inch increments. The overall height of the unit is 60 inches, with a net lift of 49 inches for a 24 inch reach to 34 inches for a 36 inch reach. Units with maximum load ratings of 300, 1000 and 1330 lbs. are available. Socket choices are embedded, wall mounted and floor mounted. Unit is not suitable for confined space applications or where raising or lowering of a human is required.

SPECIFICATION:

The portable hoist shall be series DN as manufactured by Halliday Products, Inc. of Orlando, Florida. The unit shall be sized to facilitate equipment placement and removal. The portable hoist shall be all Type 304 stainless steel construction (also available in Type 316 stainless steel) with marine grade brake winch and 30 feet of ¼ inch Type 304 stainless steel cable with shackle. The davit arm shall adjust in 1 inch increments from 24 inches to 36 inches and the overall unit height shall be 60 inches. The portable hoist shall be guaranteed against defects and material and/or workmanship for a period of 3 years.



SERIES D2N (T304), D8N (T316)
(H08T)



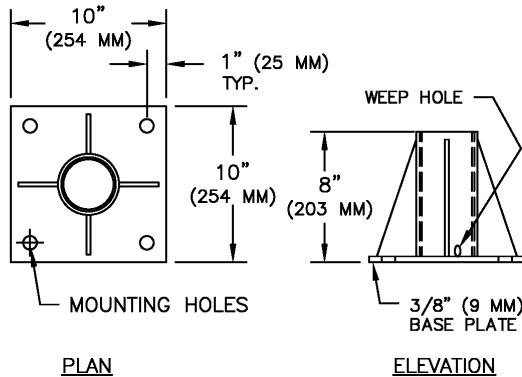
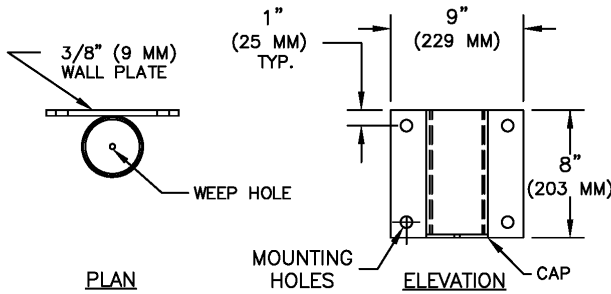
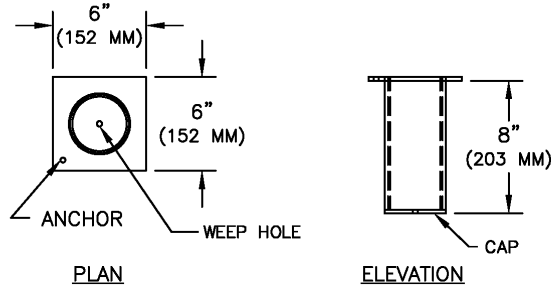
STANDARD COMPONENT PARTS

- ① BOOM
- ② SHACKLE
- ③ THIMBLE
- ④ COMPRESSION SLEEVE
- ⑤ CABLE
- ⑥ PULLEY
- ⑦ WINCH
- ⑧ CHAIN
- ⑨ MAST
- ⑩ MAST COLLAR
- ⑪ BOOM PIVOT PLATE
- ⑫ WINCH MOUNTING PLATE
- ⑬ MAST BACK BRACE
- ⑭ STATIC HOOK
- ⑮ TURN BAR

SERIES D HOIST SOCKETS

STANDARD FEATURES:

- STAINLESS STEEL TYPE-304 (STANDARD) OR TYPE-316 (OPTIONAL) CONSTRUCTION
- AVAILABLE IN 3 STYLES
- SUPPLIED WITH POLYMER LINING FOR SMOOTHER ROTATION
- 3 YEAR GUARANTEE



NOTES:
MOUNTING HOLES ARE $\phi 3/4$ " ($\phi 19$ MM)



www.HallidayProducts.com
Phone 800-298-1027
Fax 407-298-4534
Sales@HallidayProducts.com

T304 S.STL. EMBED STYLE SOCKETS	
SOCKET MODEL NO.	FOR HOIST MODELS
D1R LINED	D1A, D1B & D1M
D2R LINED	D2A, D2B, D2M & D2N
D3R LINED	D3A & D3B
T316 S.STL. EMBED STYLE SOCKETS	
SOCKET MODEL NO.	FOR HOIST MODELS
D7R LINED	D7A, D7B & D7M
D8R LINED	D8A, D8B, D8M & D8N
D9R LINED	D9A & D9B

T304 S.STL. WALL STYLE SOCKETS	
SOCKET MODEL NO.	FOR HOIST MODELS
D1V LINED	D1A, D1B & D1M
D2V LINED	D2A, D2B, D2M & D2N
NOT AVAILABLE	D3A AND D3B
T316 S.STL. WALL STYLE SOCKETS	
SOCKET MODEL NO.	FOR HOIST MODELS
D7V LINED	D7A, D7B & D7M
D8V LINED	D8A, D8B, D8M & D8N
NOT AVAILABLE	D9A & D9B

T304 S.STL. FLOOR STYLE SOCKETS	
SOCKET MODEL NO.	FOR HOIST MODELS
D1S LINED	D1A, D1B & D1M
D2S LINED	D2A, D2B, D2M & D2N
D3S LINED	D3A AND D3B
T316 S.STL. FLOOR STYLE SOCKETS	
SOCKET MODEL NO.	FOR HOIST MODELS
D7S LINED	D7A, D7B & D7M
D8S LINED	D8A, D8B, D8M & D8N
D9S LINED	D9A & D9B

SERIES D SOCKETS 1/31/14

Installation and Operation

OPERATION:

The Halliday Products portable hoist assembly has been engineered for basic hoisting requirements of relatively light equipment. This unit should never be used to move people, nor should the equipment weight be greater than the load capacity. To properly operate this unit, Halliday Products recommends the following:

1. Ready equipment for hoisting by including the following:
 - A) Proper and positive cable attachment.
 - B) Equipment freed to ascend, with all obstacles having been removed from path.
 - C) Equipment guide rails, if required, free of all debris.
2. When lowering cable, a minimum load is required.
3. Never stand beneath equipment being raised or lowered.
4. Store unit with safety hook attached at static loop.
5. Cable and all connections should be inspected biannually for evidence of wear.

MAINTENANCE:

The Halliday Products adjustable reach portable hoist requires little or no maintenance. For ease of operation and long product life, Halliday Products recommends the following:

1. Once yearly new lubricant should be applied to the sheave axle and socket.
2. Accompanying sockets should be kept clear of all debris.
3. Winch and sheave should be kept clear of all cable-carried debris.



LIMITED WARRANTY

Halliday Products, Inc., a Florida Corporation (“Company”) warrants to the original customer the stainless steel portable hoist will be free from defective material or faulty workmanship for a period of three (3) years from date of purchase by Customer. In the event of malfunction or other indication of failure attributable directly to defective material or faulty workmanship, Company will, upon receipt of a written notification from customer of such defective material or faulty workmanship, at its option and expense, repair or replace the defective portable hoist, or a component thereof, to whatever extent Company shall deem necessary to restore the portable hoist, or a component thereof, to proper operating condition. Company may replace the defective portable hoist, or a component thereof, with either a new or remanufactured, functionally equivalent portable hoist or component thereof at the Company’s option. **THIS WARRANTY IS EXCLUSIVE AND IN LIEU OF ALL OTHER WARRANTIES, WHETHER OR NOT STATUTORY, OR EXPRESSED OR IMPLIED, INCLUDING WITHOUT LIMITATION, THE IMPLIED WARRANTIES OF MERCHANTABILITY AND FITNESS FOR A PARTICULAR PURPOSE. THE EXCLUSIVE REMEDY FOR DEFECTIVE PORTABLE HOIST SHALL BE ONLY IN CONTRACT, WHETHER OR NOT CAUSED BY A DEFECTIVE PORTABLE HOIST, OR NEGLIGENCE. COMPANY’S LIABILITY FOR LOSS OR DAMAGES SHALL NOT EXCEED THE PRICE PAID BY CUSTOMER FOR THE PORTABLE HOIST, REGARDLESS OF THE FORM OF ANY CLAIM. IN NO EVENT SHALL COMPANY BE LIABLE FOR ANY SPECIAL, INCIDENTAL, INDIRECT, CONSEQUENTIAL, OR PUNITIVE DAMAGES WHATSOEVER RESULTING FROM ANY DEFECTIVE PORTABLE HOIST OR COMPONENT THEREOF. IF MODIFICATION OR ALTERATION IS MADE TO THE PORTABLE HOIST OR COMPONENT THEREOF BY OTHER THAN COMPANY AUTHORIZED PERSONS, OR IF IT IS INSTALLED IMPROPERLY, OR MISUSED, ABUSED AND/OR NEGLECTED, THIS LIMITED WARRANTY IS NULL AND VOID AND OF NO EFFECT. THIS LIMITED WARRANTY DOES NOT APPLY AND THE COMPANY WILL HAVE NO RESPONSIBILITY HEREUNDER FOR NORMAL WEAR AND TEAR.**

Halliday Products, Inc.
6401 Edgewater Dr
Orlando, FL 32810
Toll Free: 800-298-1027
Fax: 407-298-4534
Email: Info@HallidayProducts.com