

# SERIES N1 STOP GATE

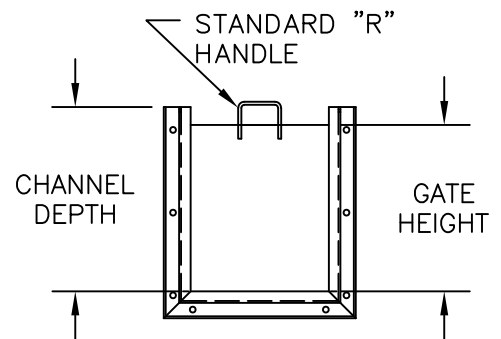
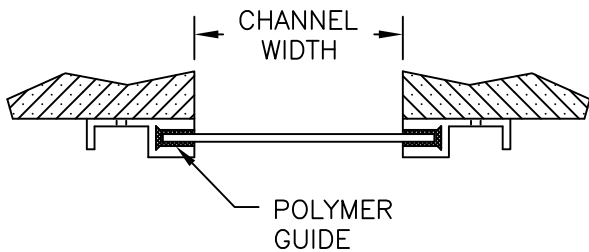


www.HallidayProducts.com  
 Phone: (800) 298-1027  
 Local: (407) 298-4470  
 Sales@HallidayProducts.com

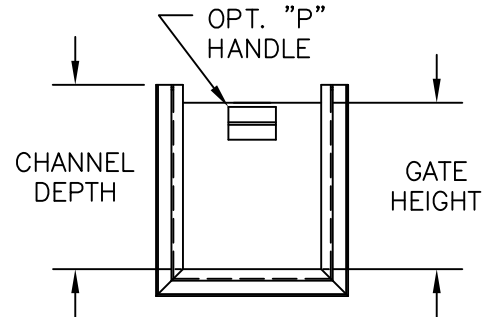
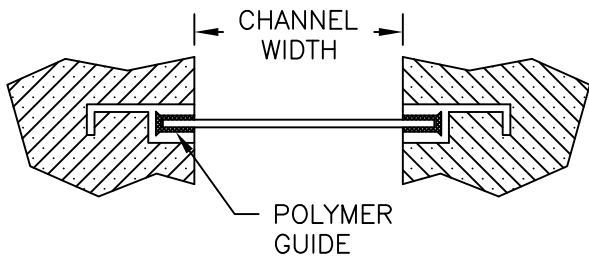
## STANDARD FEATURES:

- ONE-PIECE 6061-T6 EXTRUDED ALUMINUM FRAME
- ONE-PIECE POLYMER GUIDE
- 1/4" (7 MM) THICK 6061-T6 ALUMINUM GATE REINFORCED TO DEFLECT NO MORE THAN 1/360th OF SPAN (5' MAX HEAD PRESSURE)
- LOW COEFFICIENT OF FRICTION
- NON-OZONE DEPLETING BITUMINOUS COATING ON FRAME
- DEEP SEATING FOR OPTIMUM TRACKING
- STANDARD "R" HANDLE OR OPTIONAL "P" HANDLE
- SERIES N1A AND N1C SUPPLIED WITH  $\varnothing 9/16$ " (14 MM) MOUNTING HOLES AND 1/2" (13 MM) X 4" (102 MM) S.STL. WEDGE ANCHORS
- 3 YEAR GUARANTEE

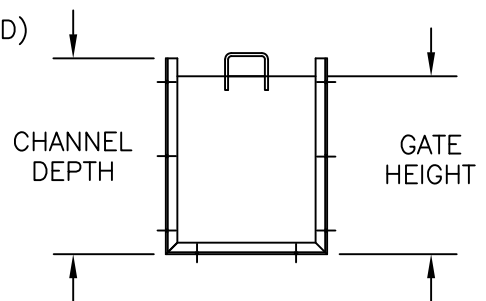
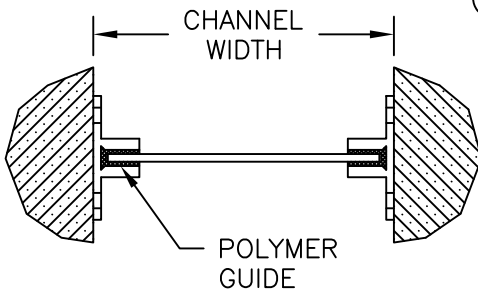
**SERIES N1A**  
(WALL MOUNTED)



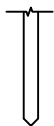
**SERIES N1B**  
(EMBEDDED)



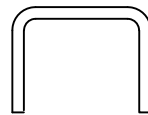
**SERIES N1C**  
(IN-CHANNEL MOUNTED)



GATE BOTTOM



STANDARD  
"R" HANDLE



OPTIONAL  
"P" HANDLE

