

SERIES L1E LADDER EXTENSION



www.HallidayProducts.com
 Phone: (800) 298-1027
 Local: (407) 298-4470
 Sales@HallidayProducts.com

STANDARD FEATURES:

- EASY TO INSTALL ON ALUMINUM OR STAINLESS LADDERS
- SECURE LOCKING IN THE EXTENDED POSITION
- LIGHT WEIGHT OPERATION
- ALL ALUMINUM AND STAINLESS STEEL CONSTRUCTION
- ALSO AVAILABLE IN ALL TYPE 304 OR TYPE 316 S.STL. CONSTRUCTION
- 3 YEAR GUARANTEE

MODEL NO.	HEIGHT INCHES (MM)	ABOVE LADDER INCHES (MM)	MINIMUM TANK DEPTH INCHES (MM)
A	37" (940 MM)	42" (1067 MM)	73" (1854 MM)
B	34" (864 MM)	39" (991 MM)	55" (1397 MM)

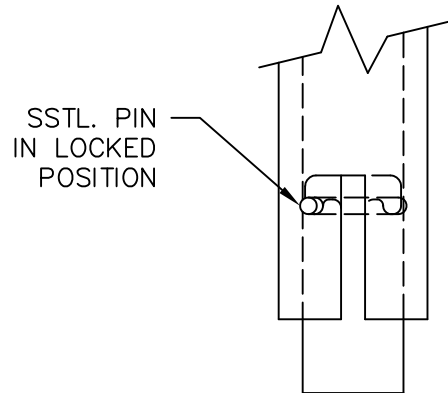
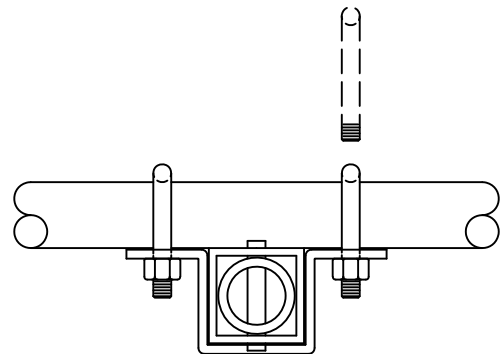
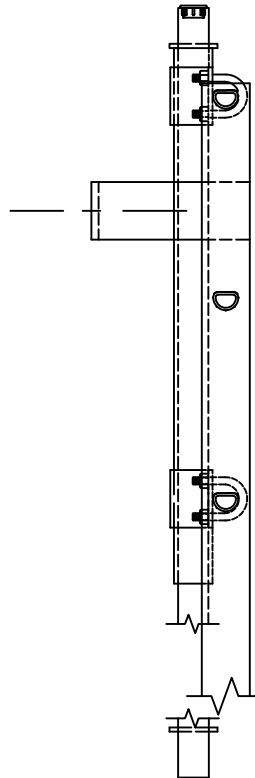
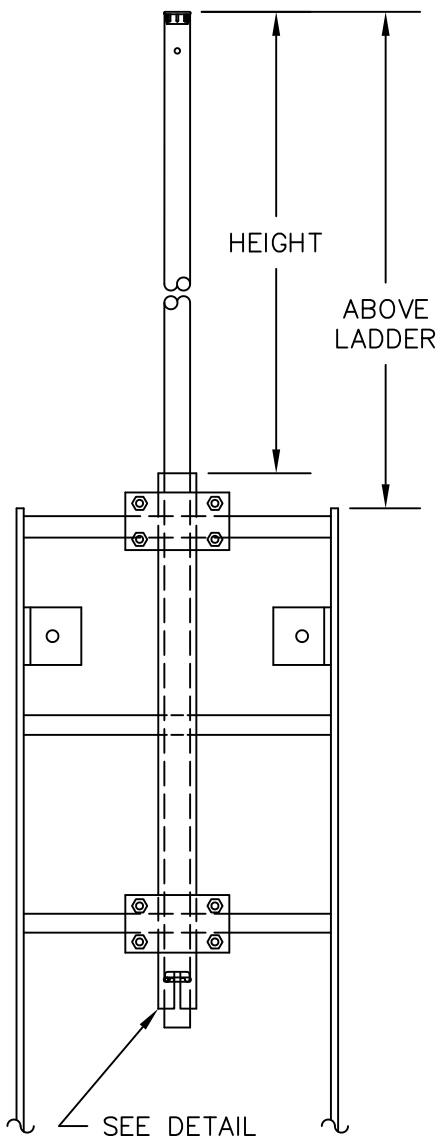
INSTALLATION & OPERATION INSTRUCTIONS

Installation:

- Place ladder flat on the ground with standoffs up.
- Place 2" (51 MM) square aluminum tube in center of rungs with the "T" shaped slot below third rung as shown (Model A) or second rung (Model B).
- Place stainless steel channel clamp over square aluminum tube so "U" bolt holes line up on either side of rungs as shown.
- Insert stainless steel "U" bolts over rung and through holes in stainless steel channel clamp as shown.
- Apply 10-15 foot pounds (1.3-2.1 KG/M) of torque to all "U" bolt nuts.
- Verify that square aluminum tube is secured to ladder rungs.

Operation:

- To engage ladder extension, grasp aluminum post above the top stainless steel channel clamp, and pull straight up until lower stainless steel pin is seated.
- Rotate aluminum post 1/4 turn in either direction to secure pin in slot as shown in Detail.



DETAIL

NOTES:
 PIN MUST BE IN LOCKED POSITION PRIOR TO OPERATION.