

SERIES L1B AND L1D LADDERS



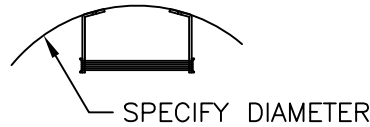
www.HallidayProducts.com
 Phone: (800) 298-1027
 Local: (407) 298-4470
 Sales@HallidayProducts.com

STANDARD FEATURES:

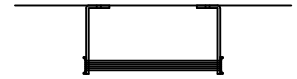
- ALL ALUMINUM WELDED CONSTRUCTION
- 1 3/8" DIAMETER TYPE "D" RUNG WITH SLIP RESISTANT SURFACE
- CUSTOM FIT WALL MOUNTED STANDOFFS
- FLOOR AND WALL OR WALL-ONLY MOUNTING (SPECIFY)
- FLAT OR ROUND WALL MOUNTING (SPECIFY)
- ALSO AVAILABLE IN T-304 OR T-316 STAINLESS STEEL CONSTRUCTION
- 3 YEAR GUARANTEE

REQUIRED INFORMATION:

- BASIN DIAMETER OR FLAT WALL
- RAIL LENGTH IN FEET
- STANDOFF LENGTH (7" [178 MM] MIN.)
- L1B OR L1D MOUNTING
- L1B MADE IN EVEN FOOT INCREMENTS ONLY

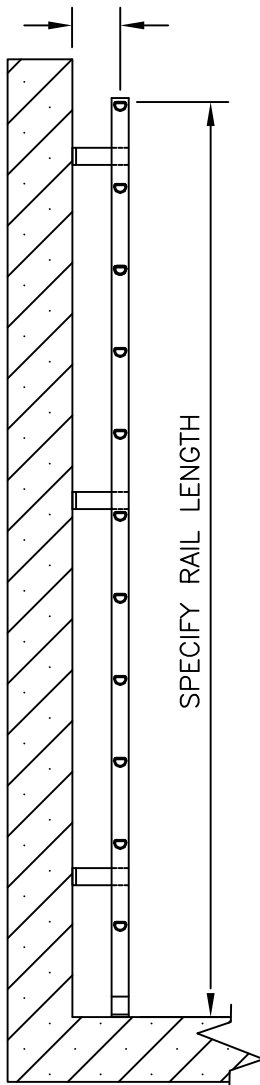


ROUND WALL MOUNTING

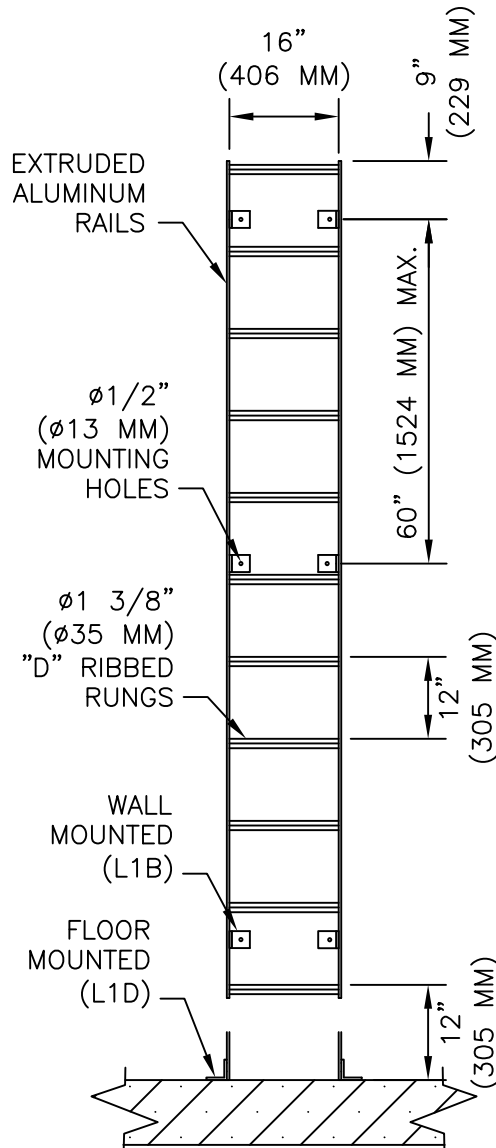


FLAT WALL MOUNTING

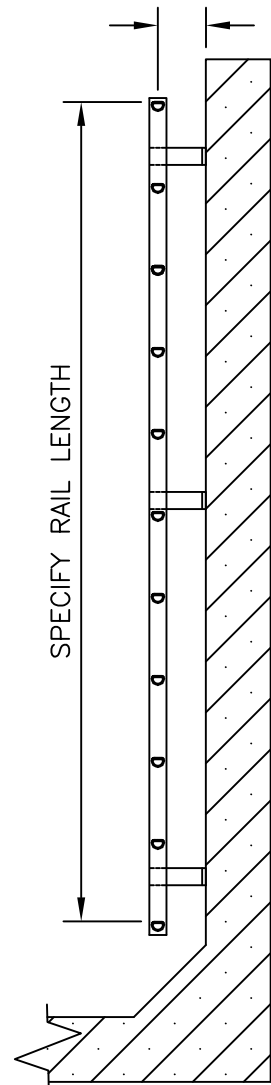
STANDOFF
 (7" [178 MM] MIN.)
 (ADVISE)



L1D (FLOOR AND WALL MOUNT)



STANDOFF
 (7" [178 MM] MIN.)
 (ADVISE)



L1B (WALL MOUNT)