

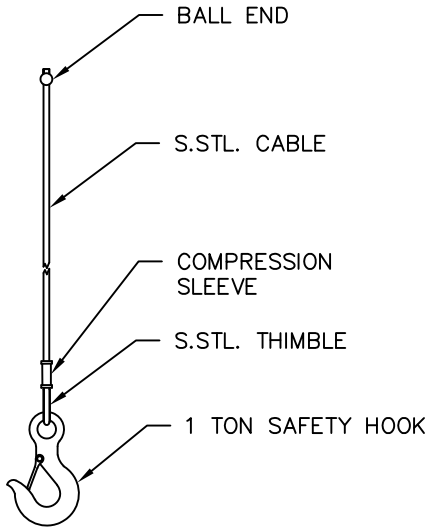
SERIES K-A CABLE ASSEMBLY



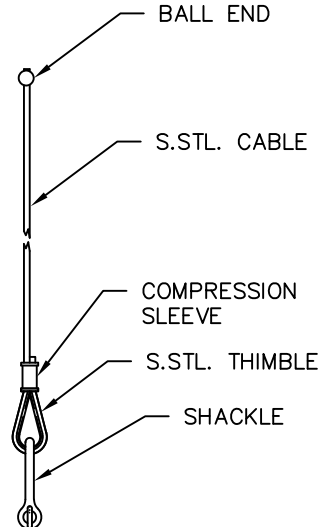
www.HallidayProducts.com
 Phone: (800) 298-1027
 Local: (407) 298-4470
 Sales@HallidayProducts.com

STANDARD FEATURES:

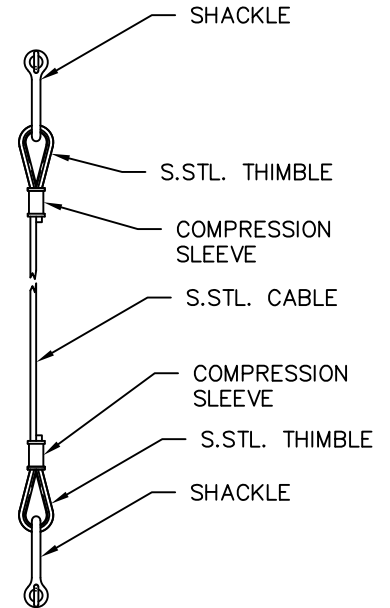
- TYPE 304 OR 316 STAINLESS STEEL CONSTRUCTION
- $\phi 1/4"$ ($\phi 7$ MM) CABLE W/1285 LBS (583 KG) SAFE LOAD
- VARIOUS HOOKS AND SHACKLES AVAILABLE
- ALSO AVAILABLE IN $\phi 3/16"$ ($\phi 5$ MM)



LIFT CABLE



MIXER CABLE



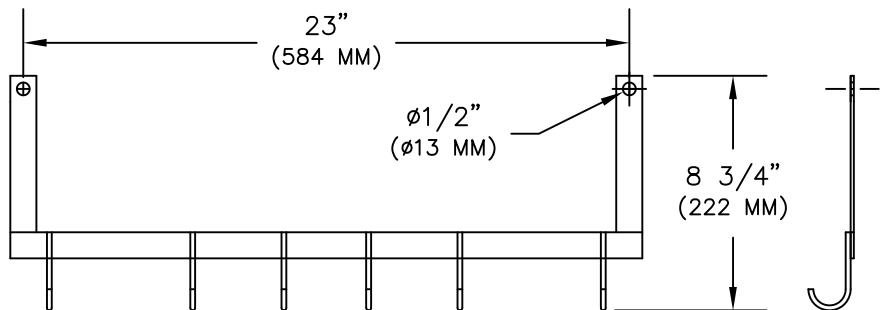
STATIC CABLE

SERIES J CABLE HOLDER

MODEL	CABLE HOLDER
STANDARD J6A (T-316)	1/8" (3 MM) BODY $\phi 3/16"$ (5 MM) HOOKS (T-316 S.STL. ONLY)
HEAVY DUTY J4J (T-304) J6J (T-316)	3/16" (5 MM) BODY $\phi 1/4"$ (7 MM) HOOKS (T-304 OR T-316 S.STL.)

STANDARD FEATURES:

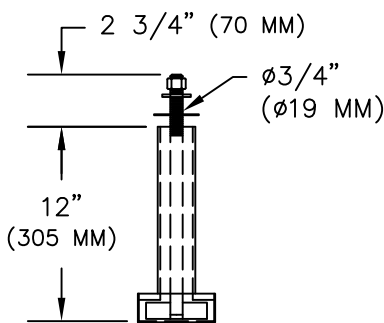
- STAINLESS STEEL CONSTRUCTION
- 6 HOOKS STANDARD - FOR FLOAT SWITCHES
- AVAILABLE STANDARD DUTY OR HEAVY DUTY



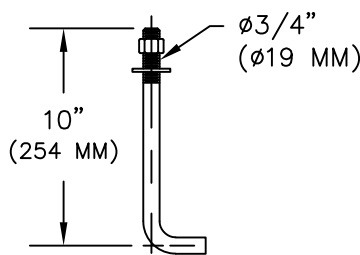
SERIES A ANCHOR BOLT

STANDARD FEATURES:

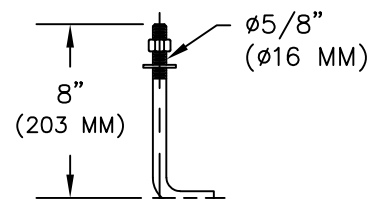
- TYPE 316 STAINLESS STEEL CONSTRUCTION
- SPECIAL SIZES AVAILABLE



MODEL A6E



MODEL A6C



MODEL A6B