

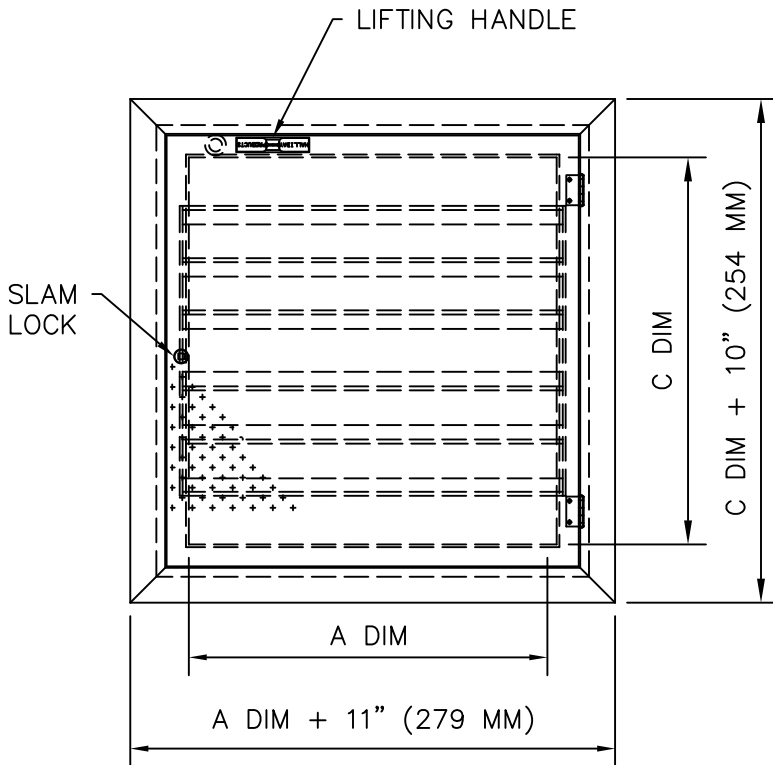
# SERIES H1C ACCESS DOOR



www.HallidayProducts.com  
 Phone: (800) 298-1027  
 Local: (407) 298-4470  
 Sales@HallidayProducts.com

## STANDARD FEATURES:

- H20 LOAD RATING (SEE NOTES)
- EXTRUDED ALUMINUM CHANNEL FRAME
- SINGLE LEAF CONSTRUCTION
- AUTO-LOCK T-316 STAINLESS STEEL HOLD OPEN ARM WITH RELEASE HANDLE
- T-316 STAINLESS STEEL HINGES AND ATTACHING HARDWARE
- T-316 STAINLESS STEEL SLAM LOCK WITH REMOVABLE KEY
- STAINLESS STEEL COMPRESSION SPRING ASSIST
- RECESSED LIFTING HANDLE
- LIFETIME GUARANTEE



STANDARD SIZES				
QTY.	MODEL NO.	A DIM INCHES (MM)	C DIM INCHES (MM)	UNIT WT. LBS. (KG)
	H1C2424	24 (610)	24 (610)	85 (39)
	H1C2430	24 (610)	30 (762)	100 (45)
	H1C2436	24 (610)	36 (914)	115 (52)
	H1C2442	24 (610)	42 (1067)	130 (59)
	H1C3030	30 (762)	30 (762)	108 (49)
	H1C3036	30 (762)	36 (914)	124 (56)
	H1C3042	30 (762)	42 (1067)	140 (64)
	H1C3048	30 (762)	48 (1219)	157 (71)
	H1C3636	36 (914)	36 (914)	134 (61)
	H1C3642	36 (914)	42 (1067)	151 (68)
	H1C3648	36 (914)	48 (1219)	166 (75)

## NOTES:

- 1) SUITABLE FOR USE IN OFF STREET LOCATION WHERE NOT SUBJECTED TO HIGH DENSITY TRAFFIC.
- 2) PROVIDE A FULL BED OF CLASS "A" CONCRETE UNDER FRAME AND SUPPORT ANGLES.

