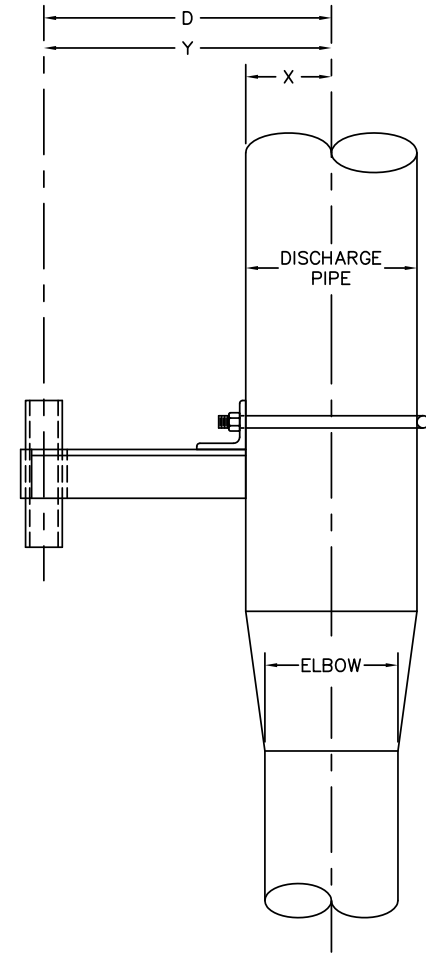
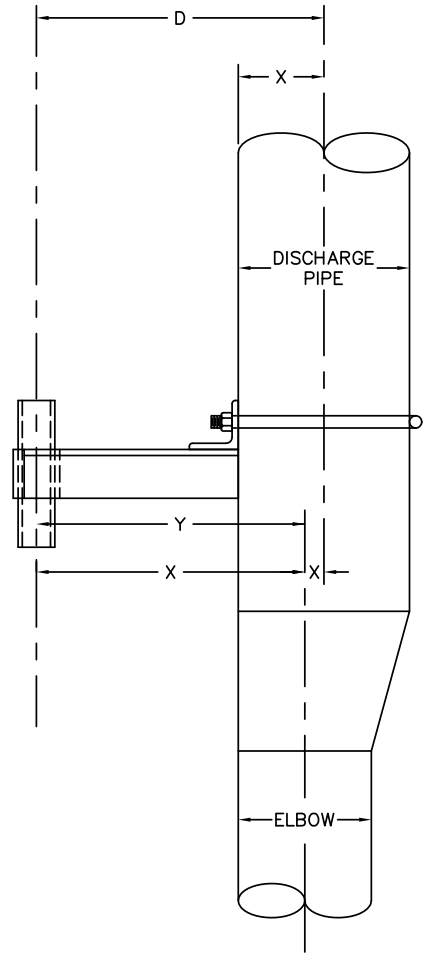


STRAIGHT



CONCENTRIC



ECCENTRIC

Discharge type		
Straight	Concentric	Eccentric
D = Y (centerline of elbow to centerline of guide rail)	D = Y (centerline of elbow to centerline of guide rail)	D = Y (centerline of elbow to centerline of guide rail) + (Discharge Pipe Dia. - Elbow Pipe Dia.) / 2
Example: Centerline of elbow to centerline of guide rail = 7.562 Elbow pipe dia. = 6.625 D = 7.562 U Bolt = 6"	Example: Centerline of elbow to centerline of guide rail = 7.562 Discharge pipe dia. = 10.75 Elbow pipe dia. = 6.625 D = 7.562 U Bolt = 10	Example: Centerline of elbow to centerline of guide rail = 7.562 Discharge pipe dia. = 10.75 Elbow pipe dia. = 6.625 D = 7.562 + (10.75 - 6.625) / 2 D = 9.625 U Bolt = 10