

SERIES B1B TRASH BASKET



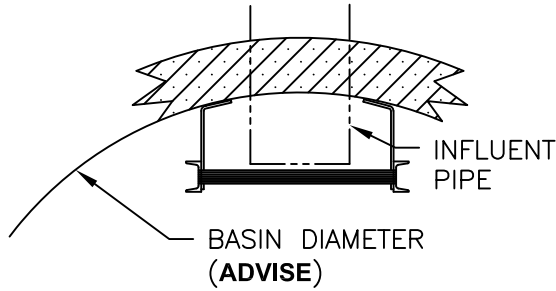
www.HallidayProducts.com
 Phone: (800) 298-1027
 Local: (407) 298-4470
 Sales@HallidayProducts.com

STANDARD FEATURES:

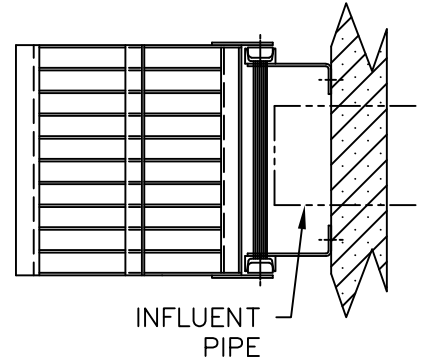
- ALL ALUMINUM CONSTRUCTION
- SOLID ALUMINUM WHEELS AND STAINLESS STEEL AXLES
- 1 3/8" (35 MM) TYPE "D" RUNG W/ SLIP RESISTANT SURFACE
- BAR SCREEN STYLE BASKET
- HEAVY DUTY LADDER/GUIDE RAIL COMBINATION
- AVAILABLE W/O LADDER RUNGS (GUIDE RAILS ONLY)
- CUSTOM SIZES AVAILABLE
- ALSO AVAILABLE IN T-304 OR T-316 S.STL. CONSTRUCTION

REQUIRED INFORMATION:

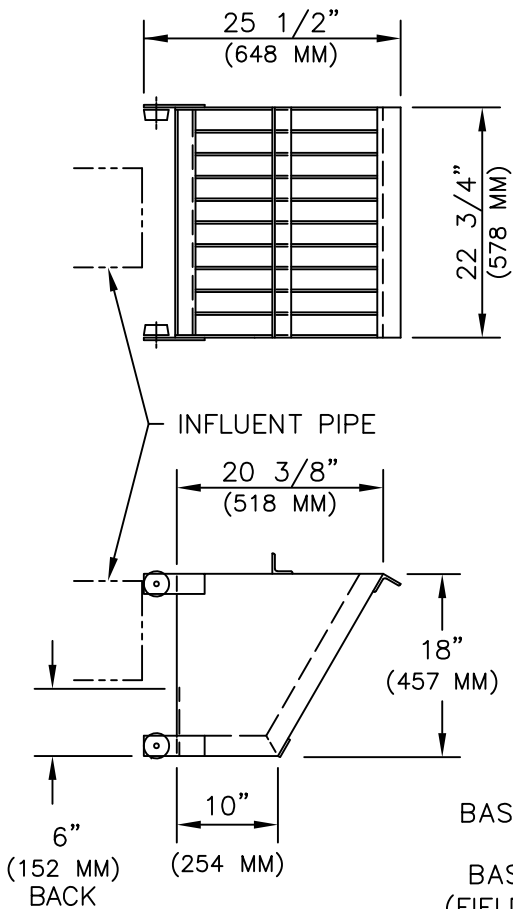
- BASIN DIAMETER
- RAIL LENGTH
- STANDOFF LENGTH (7" [178 MM] MIN. FOR LADDER COMBO)



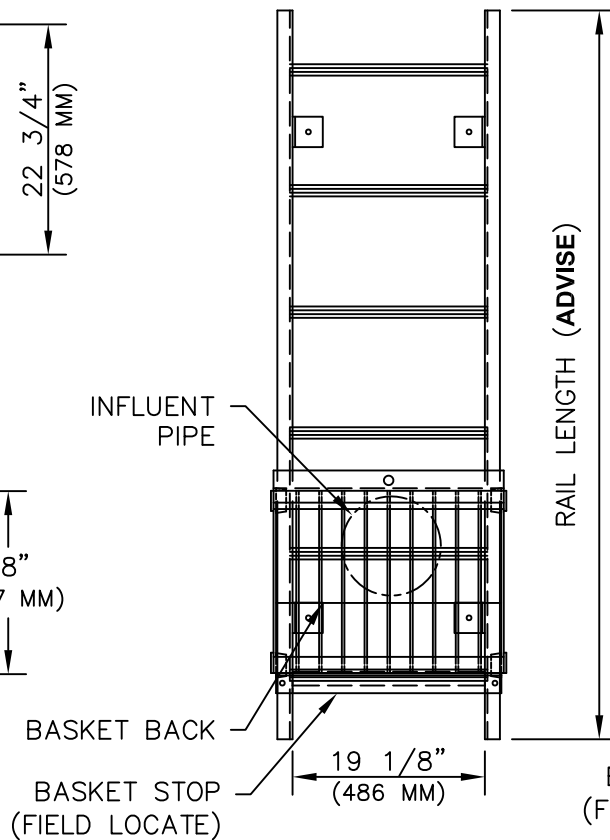
ROUND WALL MOUNTING



FLAT WALL MOUNTING



BASKET



BASKET AND RAILS

