

# SERIES B1A TRASH BASKET



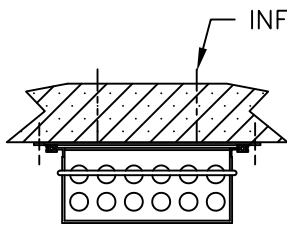
www.HallidayProducts.com  
 Phone: (800) 298-1027  
 Local: (407) 298-4470  
 Sales@HallidayProducts.com

## STANDARD FEATURES:

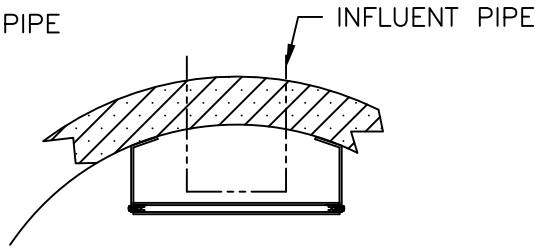
- ALL ALUMINUM CONSTRUCTION
- PUNCHED HOLE SCREENING STYLE
- EXTRUDED ALUMINUM GUIDERAIL
- CUSTOM SIZES AVAILABLE
- PIPE RAIL & CHANNEL GUIDERAIL AVAILABLE
- ALSO AVAILABLE IN T-304 OR T-316 S.STL. CONSTRUCTION
- RECOMMENDED UP TO 8" INFLUENT PIPE

## REQUIRED INFORMATION:

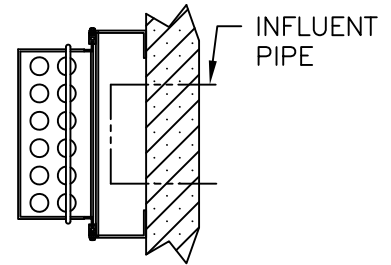
- BASIN DIAMETER
- RAIL LENGTH
- STANDOFF LENGTH



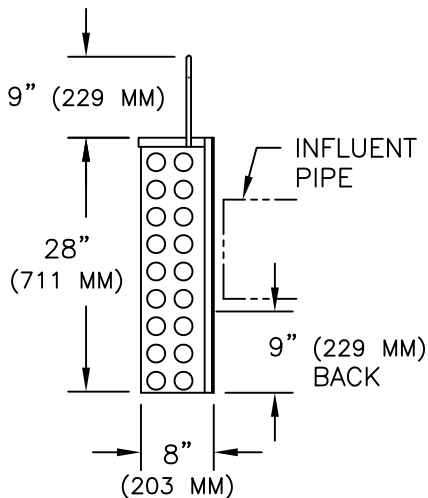
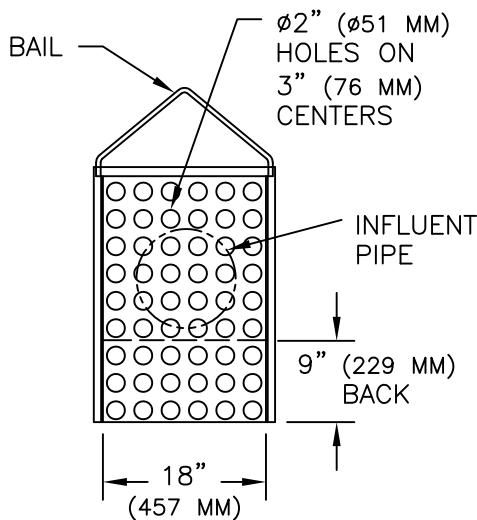
RAILS MOUNTED IN TANK  
W/FLUSH INFLUENT PIPE



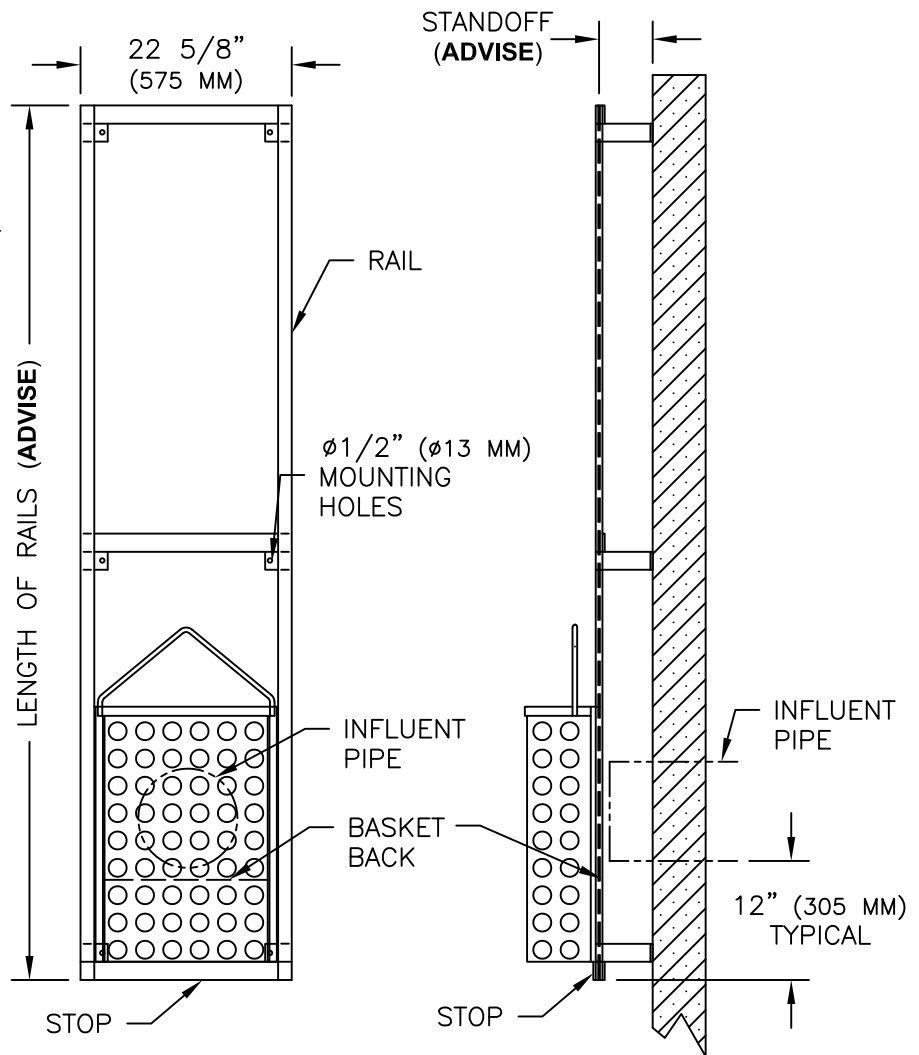
RAILS MOUNTED IN ROUND  
BASIN



RAILS MOUNTED IN  
RECTANGULAR BASIN



BASKET



BASKET AND RAILS