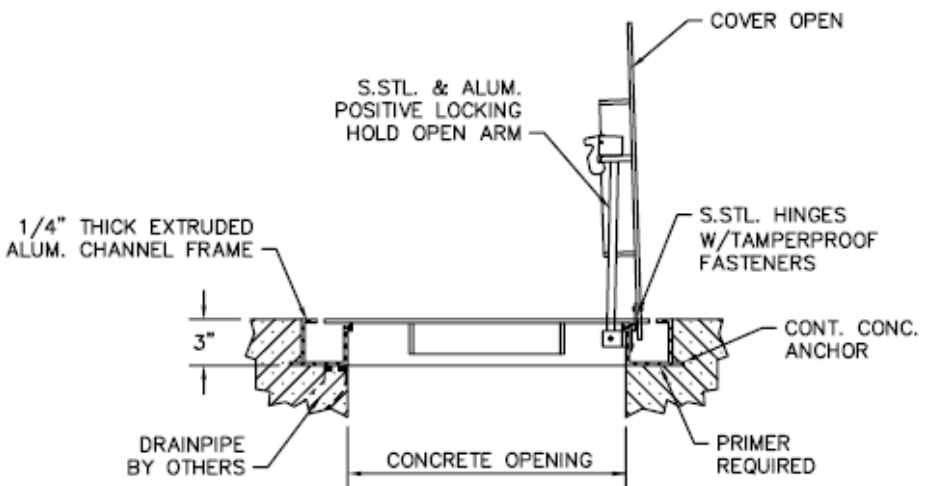
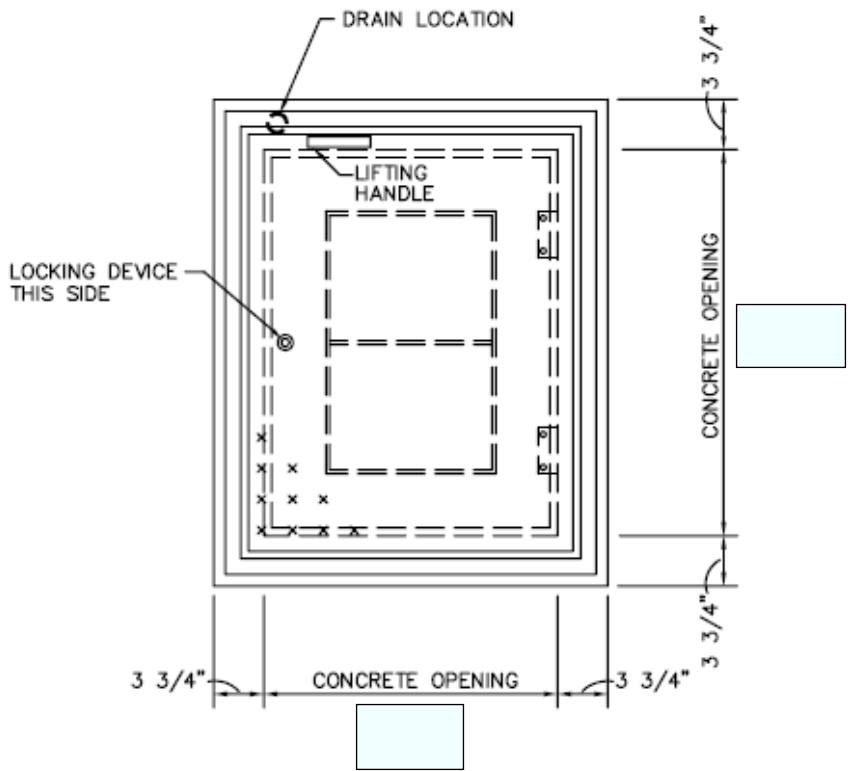


Halliday Products, Inc.
 6401 Edgewater Dr
 Orlando, FL 32810

Toll Free: 800-298-1027
 Phone 407-298-4470
 Fax: 407-298-4534

www.HallidayProducts.com



SERIES NO. W1 **QUANTITY**

STANDARD FEATURES:

- 1/4 ALUMINUM TREAD PLATE COVER
- 1/4 THICK ALUMINUM FRAME EXTRUSION
- T-316 STAINLESS STEEL HARDWARE
- S.STL. & ALUM. HOLD OPEN ARM
- 1 1/2" DRAIN COUPLING
- RECESSED LIFT HANDLE (S)
- LIFETIME WARRANTY
- 300LB PER SQ. FT. LOAD RATING

OPTIONS / FEATURES

- PADLOCK BAR
- S.STL SLAM LOCK W/ KEY
- KEYED CYLINDER LOCK
- RECESSED LOCK BOX
- BITUMINOUS COATING
- CLEAR ANODIZED FINISH
- LACQUER FINISH
- SPRING ASSIST
- GASKET / CUSHION**
- 2" INSULATION W/ CAPTIVE PAN
- BOLT DOWN COVER
- SAFETY CABLE W/ POST
- PVC PROTECTIVE COVER
- NUTRAIL - SPECIFY LOCATION BELOW

LOCATION

SLAB SKIRT OVERALL HEIGHT
 (INCLUDING FRAME)

** THE GASKET LIMITS ONLY THE TRANSMISSION OF ODORS AND DOES NOT PROTECT AGAINST CONDITIONS WHICH MIGHT POSE A THREAT TO EITHER THE HEALTH AND SAFETY OF PEOPLE / ANIMALS OR DAMAGE TO EQUIPMENT AND PROPERTY.

(NOTE: WHEN ODOR RESISTANCE IS REQUIRED A SLAM LOCK MUST BE PROVIDED)

TAG / NOTES