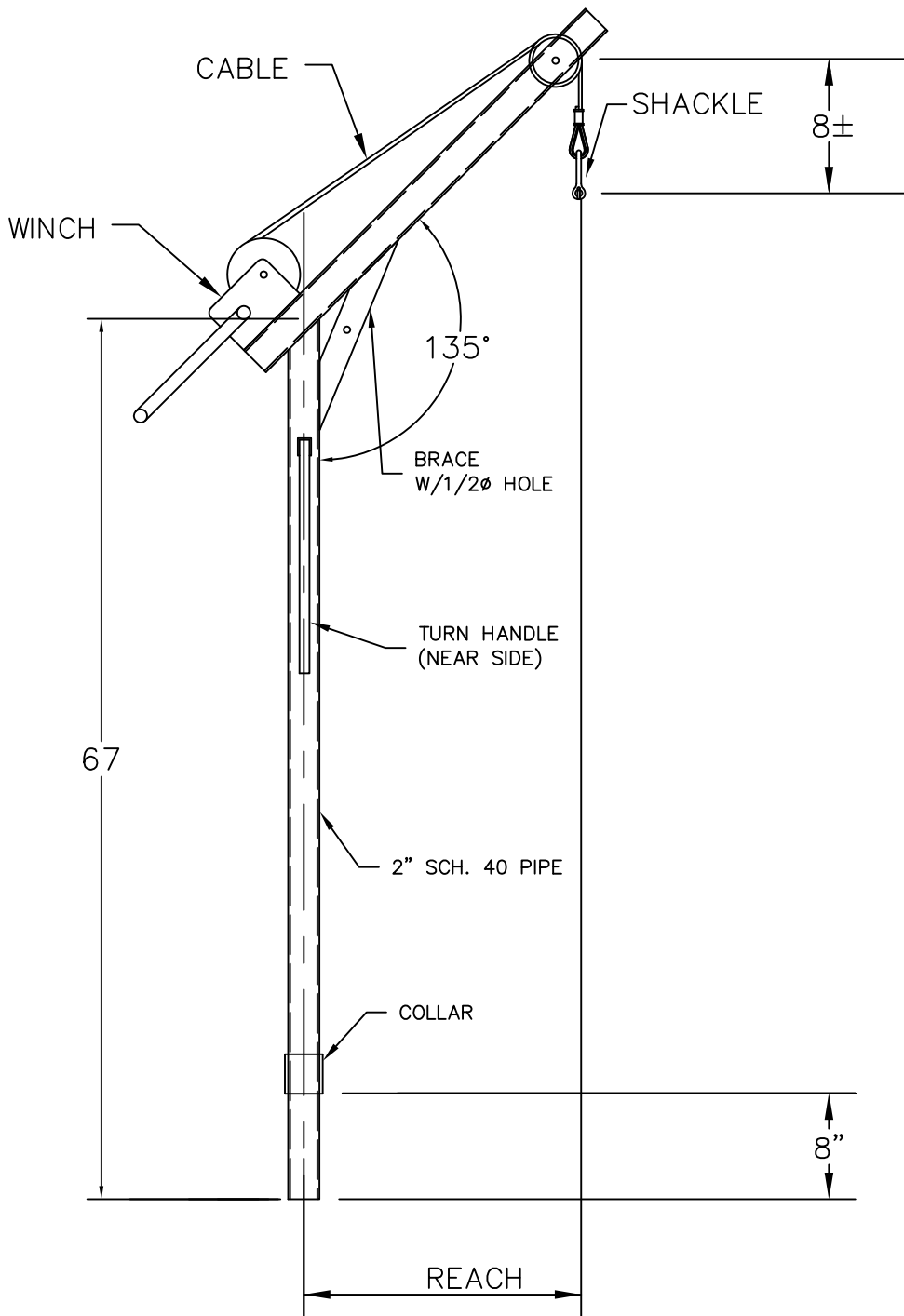


HALLIDAY PRODUCTS, INC.
 ORLANDO, FL
 Phone: 800-298-1027
 Fax 407-298-4534



QUANTITY

SERIES DM
SHORT REACH HOIST



STANDARD FEATURES:

STAINLESS STEEL CONSTRUCTION
 S.STL. CABLE
 3 YEAR GUARANTEE

400 LB. MAX. CAPACITY
 FT. CABLE LENGTH

| | | |
|--------------|-------|-------|
| CABLE DIA. | 3/16" | 1/4" |
| CABLE MAT'L. | T-304 | T-316 |
| HOIST MAT'L. | T-304 | T-316 |

STANDARD CABLE ENDS:

(ALL CABLE END ASSEMBLIES
 INCLUDE COPPER NICOPRESS
 SLEEVE W/ S.STL. THIMBLE)

OPTIONAL ENDS:

S.STL. SAFETY HOOK

S.STL. SHACKLE

SHACKLE SIZE

TYPE WINCH:

NONE

MARINE GRADE BRAKE WINCHES:

DUTTON-LAINSON DLB-1200A (STD.)

THERN 4022PB

S.STL. WINCHES:

THERN 4042PBSS

MIXERMAST HOIST:

24" TURN HANDLE