

# SERIES V4R TELESCOPING VALVE



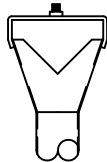
www.HallidayProducts.com  
 Phone 800-298-1027  
 Fax 407-298-4534  
 Sales@HallidayProducts.com

## REQUIRED INFORMATION:

- "MODEL" = SLIDE PIPE
  - "SIZE" = EXISTING RISER PIPE SIZE
  - "A DIM" = TRAVEL (LOW TO HIGH WATER LEVEL)
  - "D DIM." = STAND HEIGHT (48" IS STANDARD)
  - "G DIM." = HIGH WATER LEVEL TO BOTTOM OF BASE
  - "OFFSET" = BASE PLATE OFFSET, OR FOR SQUARE BASE (12" X 12") OFFSET IS ZERO
- MODEL 501 IS FOR JUST ADJUSTING WATER LEVEL
  - MODEL 502 IS FOR LARGE WEIR TOP
  - MODEL 503 IS FOR SMALLER WEIR TOP OR LARGER VALVES
  - RISER PIPE MUST BE LONGER THAN TRAVEL PLUS 9"

### MODEL 502

SLIDE PIPE WITH CONE "V" WEIR TOP



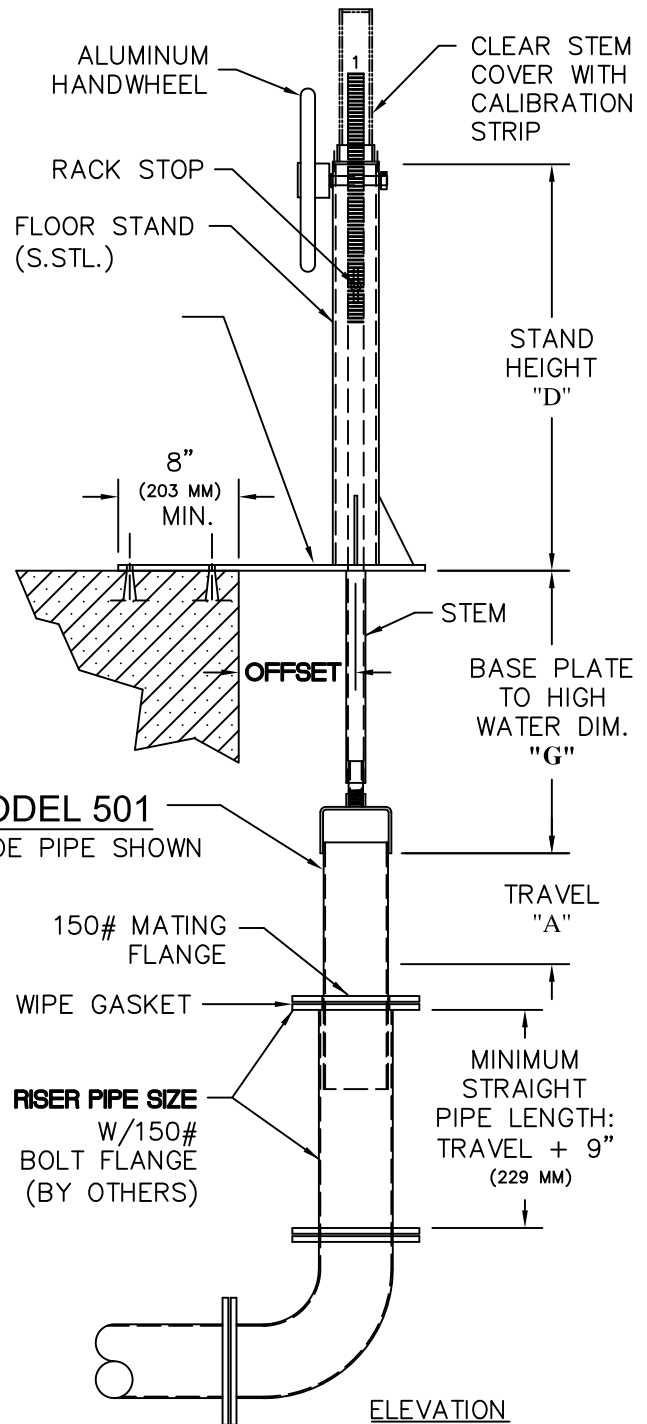
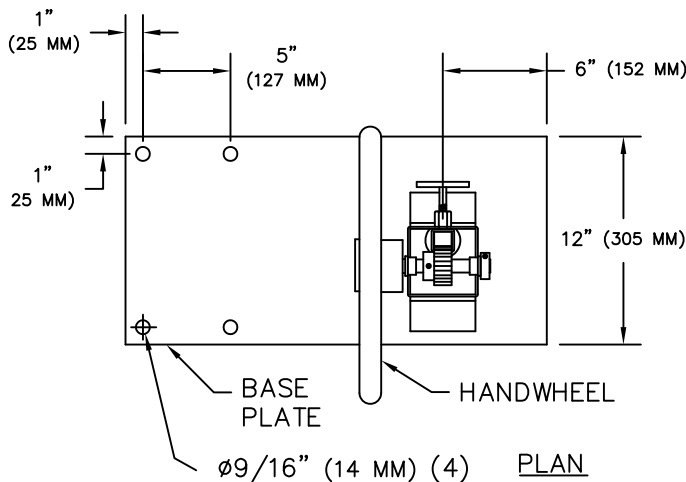
ELEVATION

### MODEL 503

SLIDE PIPE WITH "V" WEIR TOP



ELEVATION



### MODEL 501

SLIDE PIPE SHOWN

"MODEL"  
 "SIZE"  
 "A" DIM.  
 "D" DIM.  
 "G" DIM.  
 "OFFSET"