

SERIES V4A TELESCOPING VALVE



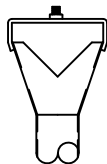
www.HallidayProducts.com
 Phone 800-298-1027
 Fax 407-298-4534
 Sales@HallidayProducts.com

REQUIRED INFORMATION:

- "MODEL" = SLIDE PIPE
- "SIZE" = EXISTING RISER PIPE SIZE
- "A DIM" = TRAVEL (LOW TO HIGH WATER LEVEL)
- "D DIM." = STAND HEIGHT (48" IS STANDARD)
- "G DIM." = HIGH WATER LEVEL TO BOTTOM OF BASE
- "OFFSET" = BASE PLATE OFFSET, OR FOR SQUARE BASE (12" X 12") OFFSET IS ZERO
- MODEL 501 IS FOR JUST ADJUSTING WATER LEVEL
- MODEL 502 IS FOR LARGE WEIR TOP
- MODEL 503 IS FOR SMALLER WEIR TOP OR LARGER VALVES
- STAND HEIGHT MUST BE EQUAL TO OR GREATER THAN TRAVEL
- RISER PIPE MUST BE LONGER THAN TRAVEL PLUS 9"

MODEL 502

SLIDE PIPE WITH CONE "V" WEIR TOP



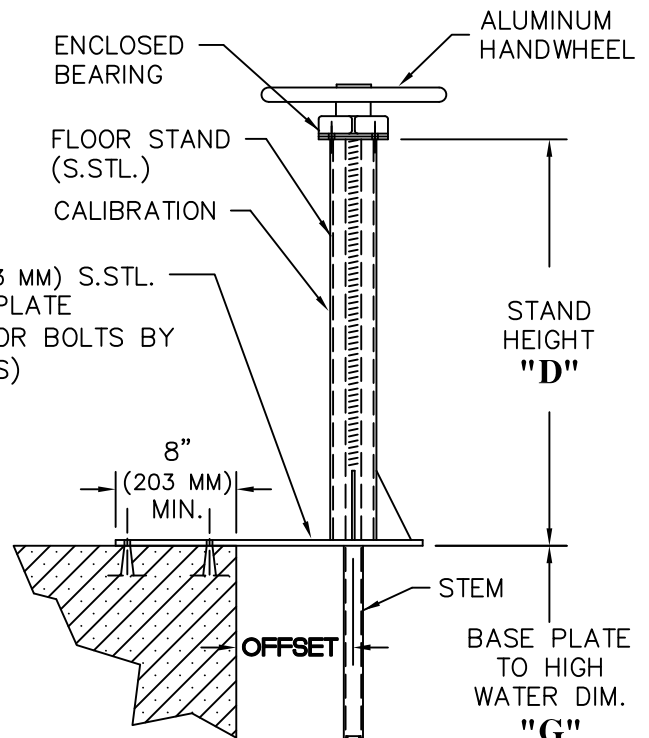
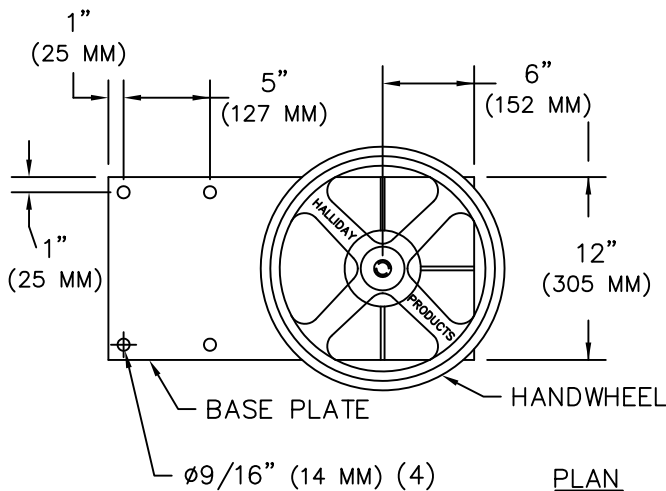
ELEVATION

MODEL 503

SLIDE PIPE WITH "V" WEIR TOP

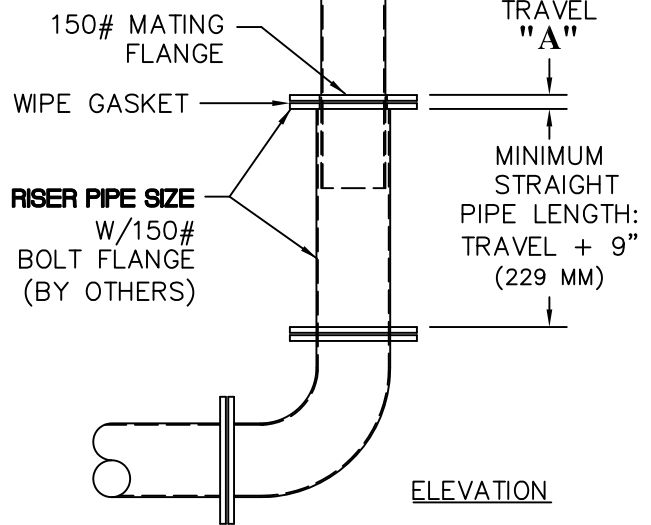


ELEVATION



MODEL 501

SLIDE PIPE SHOWN



"MODEL"
 "SIZE"
 "A" DIM.
 "D" DIM.
 "G" DIM.
 "OFFSET"