

SERIES L1E LADDER EXTENSION



www.HallidayProducts.com
 Phone 800-298-1027
 Fax 407-298-4534
 Sales@HallidayProducts.com

STANDARD FEATURES:

- EASY TO INSTALL ON ALUMINUM OR STAINLESS LADDERS
- SECURE LOCKING IN THE EXTENDED POSITION
- LIGHT WEIGHT OPERATION
- ALL ALUMINUM AND STAINLESS STEEL CONSTRUCTION
- ALSO AVAILABLE IN ALL TYPE 304 OR TYPE 316 S.STL.
- 3 YEAR GUARANTEE

MODEL	HEIGHT	ABOVE LADDER	MIN. TANK DEPT.	QUANTITY
A	37" (940MM)	42" (1067MM)	73" (1854MM)	
B	34" (864MM)	39" (991MM)	55" (1397MM)	

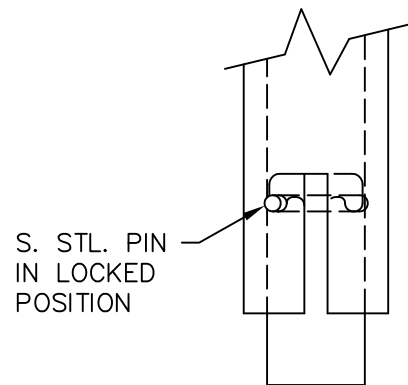
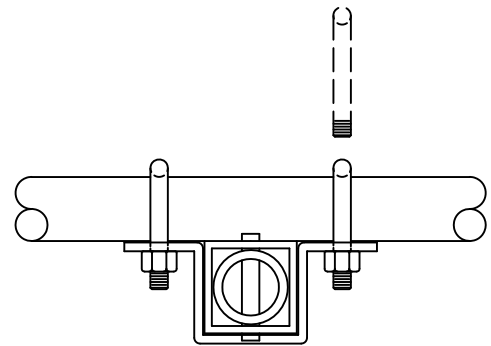
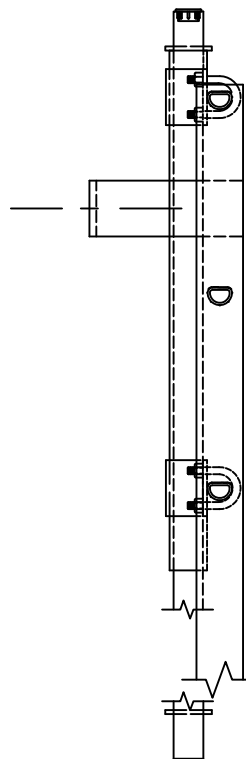
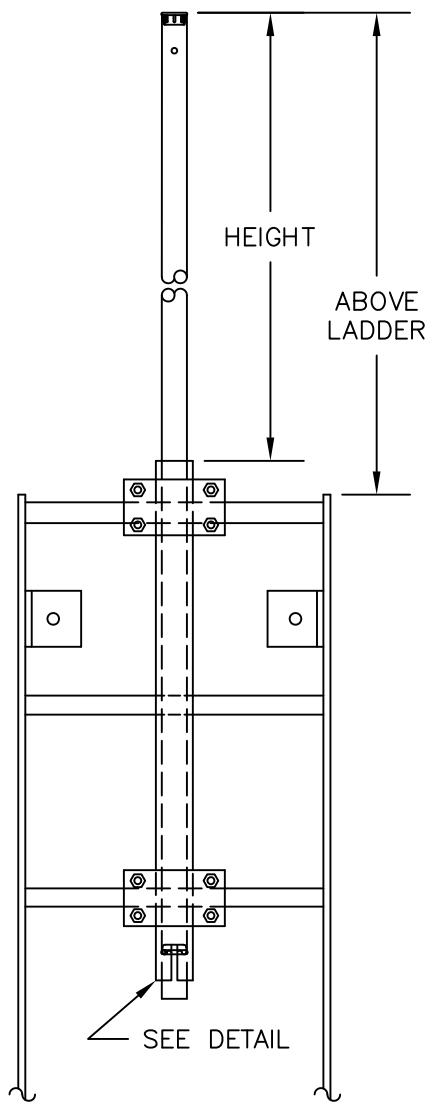
INSTALLATION & OPERATION INSTRUCTIONS

Installation:

- Place ladder flat on the ground with standoffs up.
- Place 2" (52 mm) square aluminum tube in center of rungs with the "T" shaped slot below third rung as shown (Model A) or second rung (Model B).
- Place stainless steel channel clamp over square aluminum tube so "U" clamp holes line up on either side of rungs as shown.
- Insert stainless steel "U" bolts over rung and through holes in stainless steel channel clamp as shown.
- Apply 10-15 foot pounds (1.3-2.1 kg./meter) of torque to all "U" bolt nuts.
- Verify that square aluminum tube is secured to ladder rungs.

Operation:

- To engage ladder extension, grasp aluminum post above the top stainless steel channel clamp, and pull straight up until lower stainless steel pin is seated.
- Rotate aluminum post 1/4 turn in either direction to secure pin in slot as shown in Detail.



DETAIL

NOTES:
 PIN MUST BE IN LOCKED POSITION PRIOR
 TO OPERATION.