

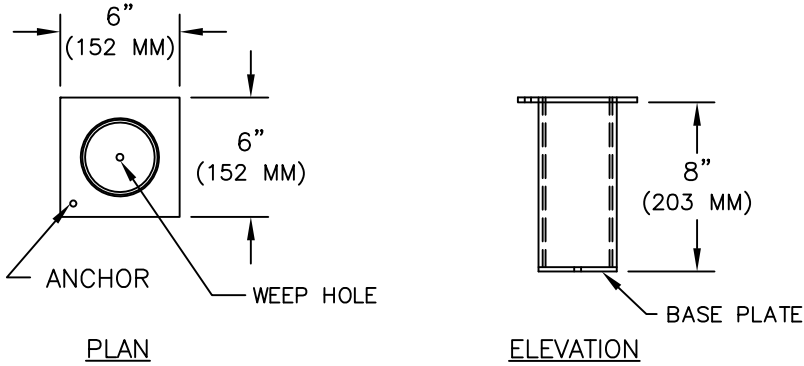
SERIES D HOIST SOCKETS



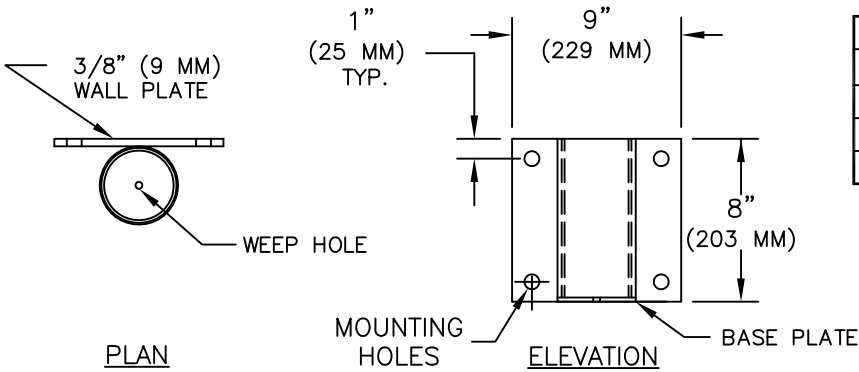
www.HallidayProducts.com
 Phone 800-298-1027
 Fax 407-298-4534
 Sales@HallidayProducts.com

STANDARD FEATURES:

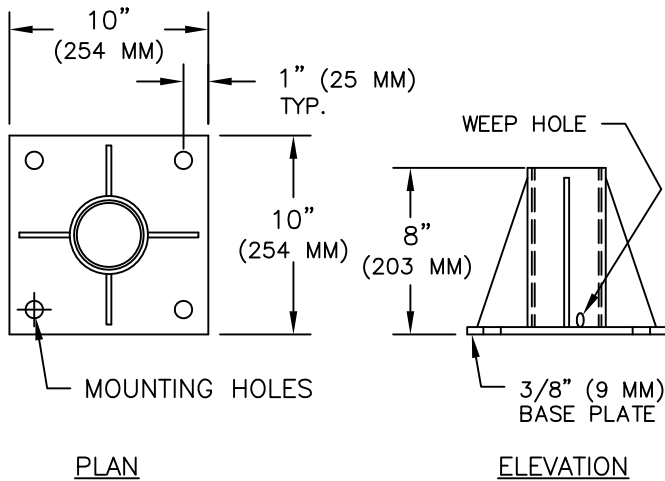
- STAINLESS STEEL TYPE-304 (STANDARD) OR TYPE-316 (OPTIONAL) CONSTRUCTION
- POLYMER LINING FOR SMOOTHER ROTATION
- AVAILABLE IN 3 STYLES
- 3 YEAR GUARANTEE



EMBED STYLE HOIST SOCKETS		
QTY.	SOCKET MODEL #	FOR HOIST MODELS
	D1R LINED	D1A AND D1B
	D2R LINED	D2A AND D2B
	D3R LINED	D3A AND D3B



WALL STYLE HOIST SOCKETS		
QTY.	SOCKET MODEL #	FOR HOIST MODELS
	D1V LINED	D1A AND D1B
	D2V LINED	D2A AND D2B
	NOT AVAILABLE	D3A AND D3B



FLOOR STYLE HOIST SOCKETS		
QTY.	SOCKET MODEL #	FOR HOIST MODELS
	D1S LINED	D1A AND D1B
	D2S LINED	D2A AND D2B
	D3S LINED	D3A AND D3B

NOTES:
 MOUNTING HOLES ARE $\phi 3/4$ " ($\phi 19$ MM)