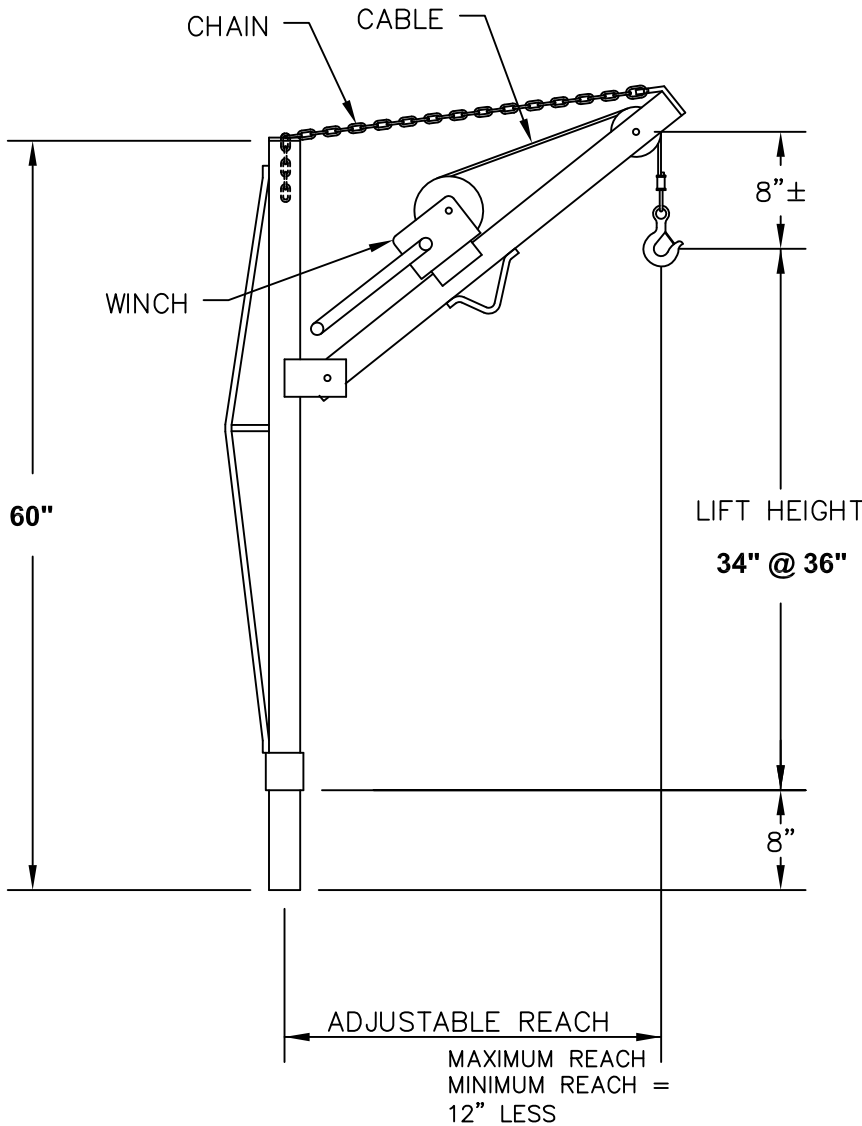




## SERIES DB

### ADJUSTABLE REACH PORTABLE HOIST

	D1B	D2B	D3B
<b>REACH</b>	<b>MAX LIFTING CAPACITY</b>	<b>MAX LIFTING CAPACITY</b>	<b>MAX LIFTING CAPACITY</b>
24" - 36"	310 LB.	1000 LB.	1330 LB.
30" - 42"	265 LB.	820 LB.	1000 LB.
36" - 48"	230 LB.	715 LB.	900 LB.



QUANTITY

STANDARD FEATURES:

- STAINLESS STEEL CONSTRUCTION
- S.STL. CABLE
- 3 YEAR GUARANTEE

FT. CABLE LENGTH

CABLE DIA.	3/16"	1/4"
CABLE MAT'L.	T-304	T-316
HOIST MAT'L.	T-304	T-316

STANDARD CABLE ENDS:

- (ALL CABLE END ASSEMBLIES INCLUDE COPPER NICOPRESS SLEEVE W/ S.STL. THIMBLE)
- GALV. SAFETY HOOK (STANDARD)

OPTIONAL ENDS:

- S.STL. SAFETY HOOK
- SHACKLE SIZE

TYPE WINCH:

- STANDARD

MARINE GRADE BRAKE WINCHES:

- DUTTON-LAINSON B-1200B
- DUTTON-LAINSON B-1500
- DUTTON-LAINSON B-2500
- DUTTON-LAINSON DLB-1200A
- DUTTON-LAINSON DLB-2500A
- THERN 4022PB
- THERN 4312PB

S.STL. WINCHES:

- THERN 4042PBSS
- THERN 4312PBSS

MIXERMAST HOIST:

- 24" TURN HANDLES