

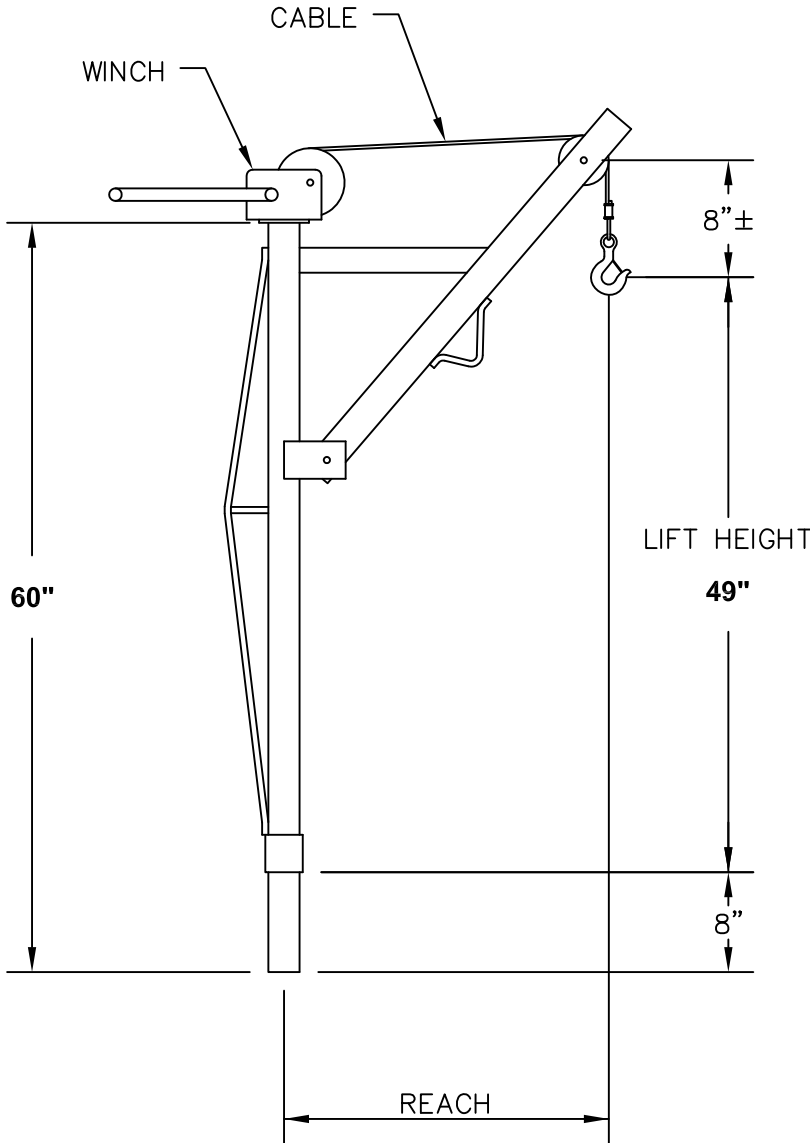
HALLIDAY PRODUCTS, INC.
 ORLANDO, FL
 Phone: 800-298-1027
 Fax 407-298-4534



QUANTITY

SERIES DA FIXED REACH PORTABLE HOIST

MINIMUM REACH = 24"
MAXIMUM REACH = 48"



STANDARD FEATURES:

STAINLESS STEEL CONSTRUCTION
 1/4" DIAMETER S.STL. CABLE
 3 YEAR GUARANTEE

LB. MAX. CAPACITY

HOIST MAT'L. T-304 T-316

FT. CABLE LENGTH

CABLE MAT'L. T-304 T-316

STANDARD CABLE ENDS:

(ALL CABLE END ASSEMBLIES
 INCLUDE COPPER NICOPRESS
 SLEEVE W/ S.STL. THIMBLE)
 GALV. SAFETY HOOK (STANDARD)

OPTIONAL ENDS:

S.STL. SAFETY HOOK

 S.STL. SHACKLE
 SHACKLE SIZE

TYPE WINCH:

STANDARD

MARINE GRADE BRAKE WINCHES:

DUTTON-LAINSON B-1200B
 DUTTON-LAINSON B-1500
 DUTTON-LAINSON B-2500
 DUTTON-LAINSON DLB-1200A
 DUTTON-LAINSON DLB-2500A
 THERN 4022PB
 THERN 4312PB
 4WM2 WORM GEAR

S.STL. WINCHES:

THERN 4042PBSS
 THERN 4312PBSS

MIXERMAST HOIST:

24" TURN HANDLES