

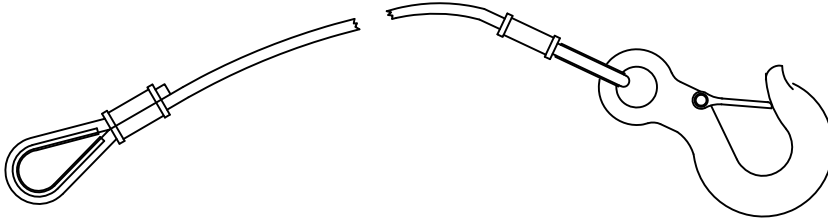
# SERIES K4A CABLE ASSEMBLY



www.HallidayProducts.com  
 Phone 800-298-1027  
 Fax 407-298-4534  
 Sales@HallidayProducts.com

## STANDARD FEATURES:

- TYPE 304 STAINLESS STEEL CONSTRUCTION
- $\phi 1/4"$  ( $\phi 7$  MM) CABLE W/1285 LBS. (583 KG.) SAFE LOAD
- 1 TON GALV. EYE HOOK W/S.STL. LATCH
- AVAILABLE IN TYPE-316 STAINLESS STEEL
- VARIOUS HOOKS AND SHACKLES AVAILABLE
- ALSO AVAILABLE IN  $3/16"$  (5 MM) AND  $3/8"$  (10 MM) DIAMETER, CONSULT FACTORY



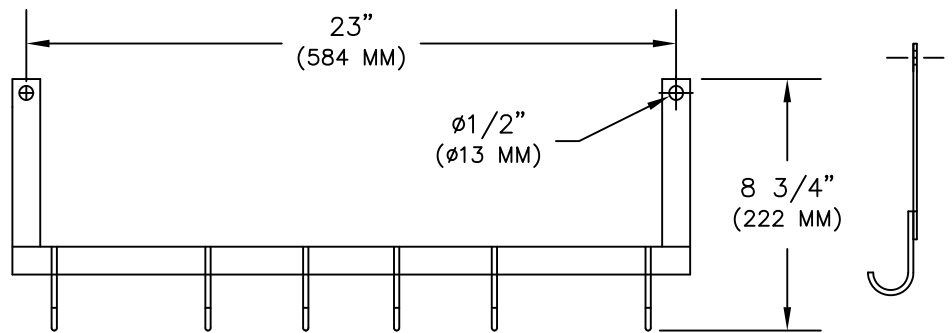
# SERIES J4A CABLE HOLDER

MATERIAL	
	STAINLESS STEEL T-304
	STAINLESS STEEL T-316

QUA.	CABLE HOLDER
	STD., $1/8"$ (3 MM) BODY, $\phi 3/16"$ (4 MM) HOOK
	H.D., $3/16"$ (4 MM) BODY, $\phi 1/4"$ (7 MM) HOOKS

## STANDARD FEATURES:

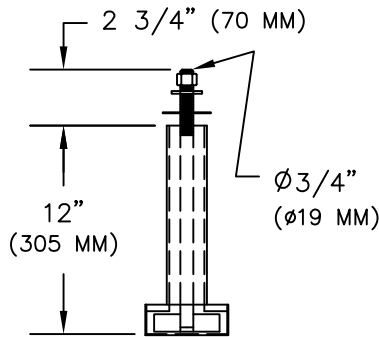
- TYPE-304 STAINLESS STEEL CONSTRUCTION
- 6 HOOKS STANDARD – FOR FLOAT SWITCHES
- AVAILABLE IN TYPE-316 STAINLESS STEEL
- AVAILABLE STANDARD DUTY OR HEAVY DUTY



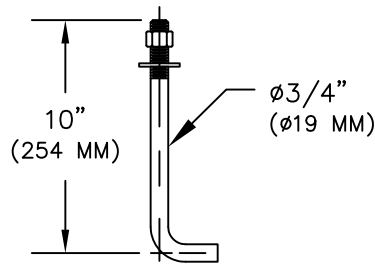
# SERIES A ANCHOR BOLT

## STANDARD FEATURES:

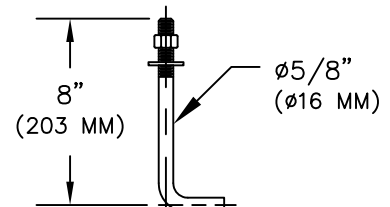
- TYPE 316 STAINLESS STEEL CONSTRUCTION
- SPECIAL SIZES AVAILABLE



MODEL A6E



MODEL A6C



MODEL A6B