

SERIES K-A CABLE ASSEMBLY

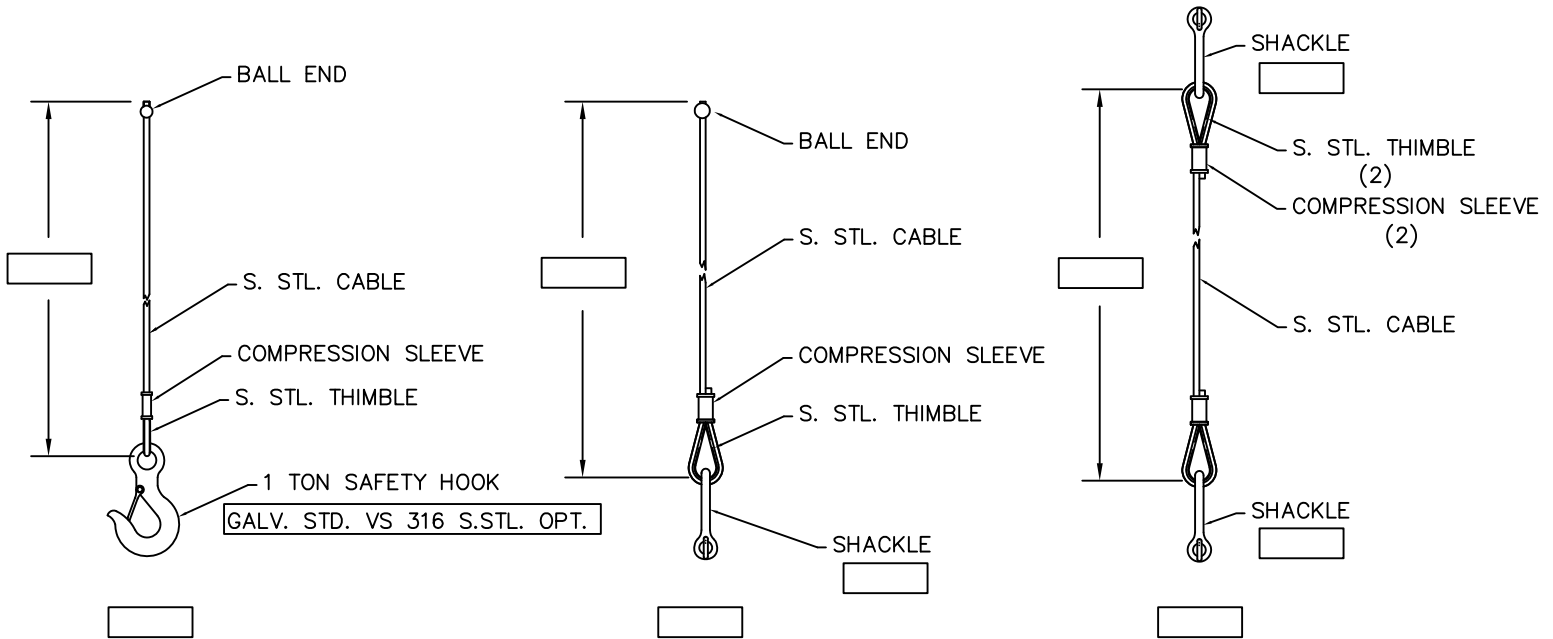


www.HallidayProducts.com
 Phone 800-298-1027
 Fax 407-298-4534
 Sales@HallidayProducts.com

STANDARD FEATURES:

- TYPE 304 OR 316 STAINLESS STEEL CONSTRUCTION
- 1/4" (7 mm) CABLE W/1285 LBS. (583 kg.) SAFE LOAD
- VARIOUS HOOKS AND SHACKLES AVAILABLE
- ALSO AVAILABLE IN 3/16" (5 mm) DIAMETER

MATERIAL: 304 S.STL. OR 316 S.STL.
 CABLE DIAMETER: 1/4" OR 3/16"

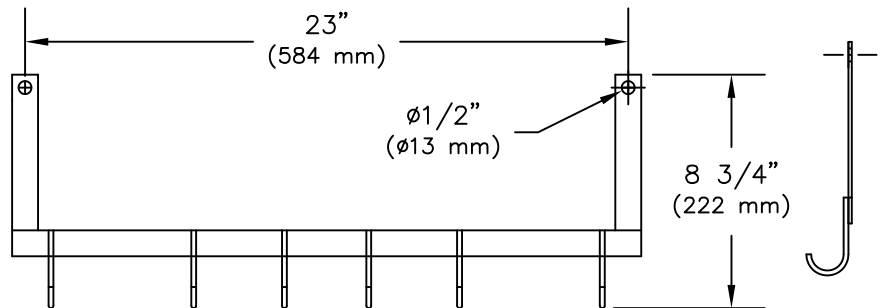


SERIES J CABLE HOLDER

STANDARD FEATURES:

- STAINLESS STEEL CONSTRUCTION
- 6 HOOKS STANDARD - FOR FLOAT SWITCHES
- AVAILABLE STANDARD DUTY OR HEAVY DUTY

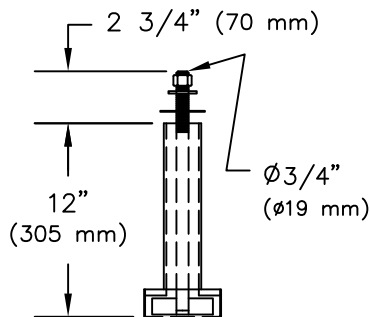
QUANTITY	CABLE HOLDER
	STD., 1/8" (3 mm) BODY, ϕ 3/16" (4 mm) HOOK (T-316 S.STL. ONLY)
	H.D., 3/16" (4 mm) BODY, ϕ 1/4" (7 mm) HOOKS (T-304 S.STL)
	H.D., 3/16" (4 mm) BODY, ϕ 1/4" (7 mm) HOOKS (T-316 S.STL)



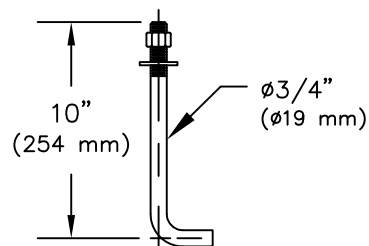
SERIES A ANCHOR BOLT

STANDARD FEATURES:

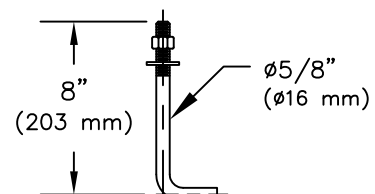
- TYPE 316 STAINLESS STEEL CONSTRUCTION
- SPECIAL SIZES AVAILABLE



MODEL A6E



MODEL A6C



MODEL A6B

