

SERIES L4B, L4D, L6B & L6D **STAINLESS STEEL LADDERS**

TABLE OF CONTENTS

Vendor Data

Material Data Sheet

Feature and Specification

Parts List

Storage, Handling, Installation and Maintenance Instructions

Limited Warranty

VENDOR DATA

**HALLIDAY PRODUCTS, INC.
6401 Edgewater Drive
Orlando, FL 32810**

Phone: 407-298-4470 - Fax: 407-298-4534

Toll Free: 800-298-1027

Email: marketing@HallidayProducts.com

Web Site at www.HallidayProducts.com

Armond Bordeau, Contact

MATERIAL DATA SHEET

Stainless Steel Ladders

1. Series L4B and L4D ladders shall be Type 304 stainless steel and Series L6B and L6D shall be Type 316 stainless steel.
2. Rails are 3/8" x 2 1/2" stainless steel flat bar.
3. Standoffs are 3/8" x 2 1/2" stainless steel.
4. Steps are serrated slip-resistant stainless steel.
5. Splicing hardware, if required, shall be all stainless steel.
6. When anchor bolts are to be supplied, they shall be Type 316 stainless steel expansion bolts.
7. Units shall carry a Three (3) Year Warranty against defects in material and/or workmanship.

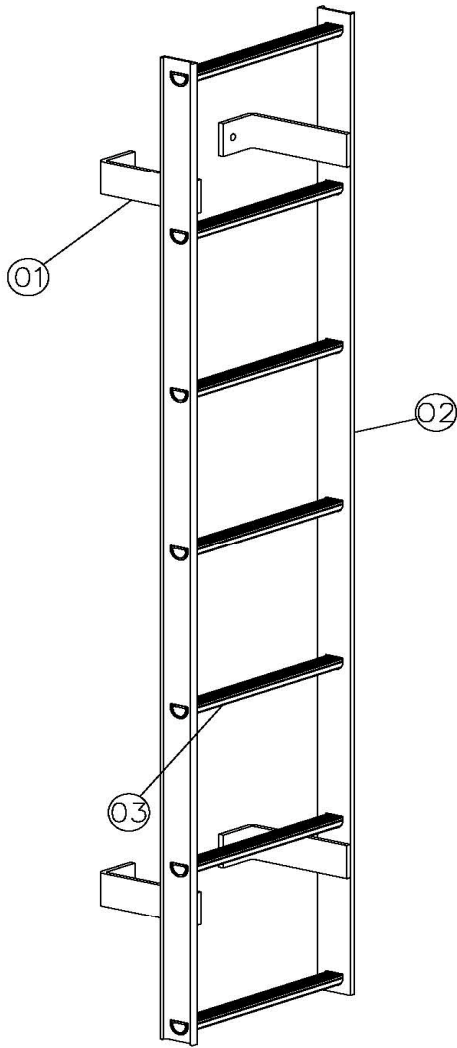
Series L4B, L4D, L6B & L6D Stainless Steel Ladders

STANDARD FEATURES:

All welded construction
Custom fit for each application
Serrated steps
Type 304 or Type 316 stainless steel

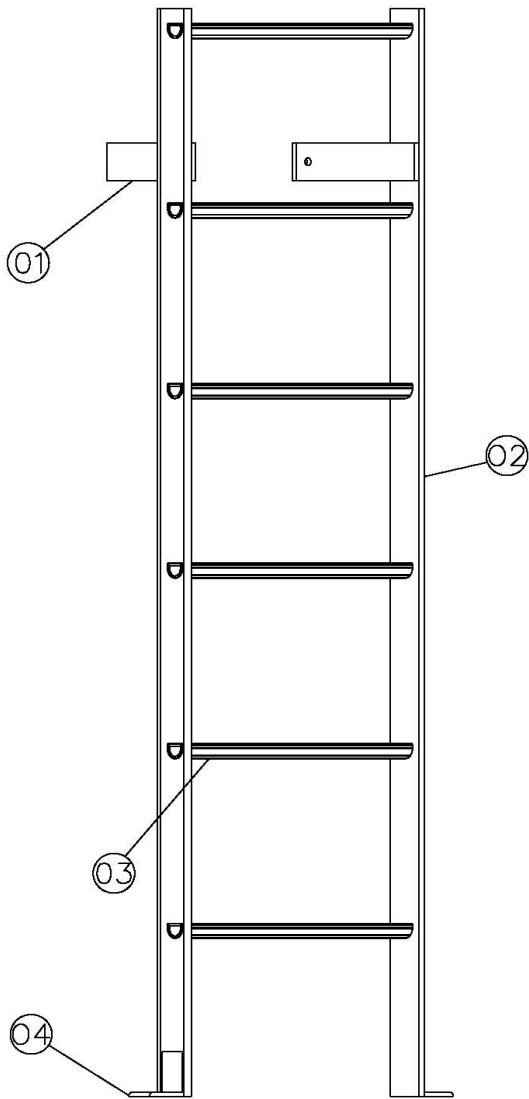
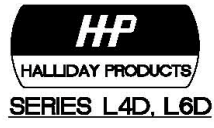
SPECIFICATION:

The series L4B, L4D, L6B & L6D ladders as manufactured by Halliday Products, Inc. of Orlando, Florida, shall be constructed entirely of either Type 304 or Type 316 stainless steel. The rails shall be 3/8" x 2 1/2" stainless steel flat bar and shall be spaced 16" apart. The wall mounted standoffs shall be 3/8" x 2 1/2" flat bar and welded to the rails at a maximum of 60 inches on center. The standoffs shall be a minimum of 7 inches and manufactured to fit flush with the wall. Slip resistant 1 3/8" diameter ribbed rungs shall be spaced at 12 inches on center and welded to the outside of each rail.



STANDARD COMPONENT PARTS

- ① STANDOFF
- ② RAIL
- ③ RUNG



STANDARD COMPONENT PARTS

- ① STANDOFF
- ② RAIL
- ③ RUNG
- ④ FLOOR MOUNT

Storage, Handling, Installation and Maintenance

STORAGE:

Prior to installation all ladders should be stored on their original shipping pallets in a dry area, and be protected against having additional items stacked upon or against them.

HANDLING:

Standard practice precautions should be taken whenever handling or moving palletized ladders by forklift.

INSTALLATION:

1. Rail system must be set plumb.
2. Rails must be secured to the wall at standoff locations with anchor bolts.

MAINTENANCE:

Because ladders manufactured by Halliday Products, Inc. are of all stainless steel construction, they require minimal maintenance. For optimum product life the manufacturer recommends the following procedures be performed annually:

1. Inspect all welds for cracks.
2. Remove all debris from rung material.
3. Inspect and tighten any loose hardware.



LIMITED WARRANTY

Halliday Products, Inc., a Florida Corporation (“Company”) warrants to the original customer the stainless steel ladder will be free from defective material or faulty workmanship for a period of three (3) years from date of purchase by Customer. In the event of malfunction or other indication of failure attributable directly to defective material or faulty workmanship, Company will, upon receipt of a written notification from customer of such defective material or faulty workmanship, at its option and expense, repair or replace the defective ladder, or a component thereof, to whatever extent Company shall deem necessary to restore the ladder, or a component thereof, to proper operating condition. Company may replace the defective ladder, or a component thereof, with either a new or remanufactured, functionally equivalent ladder or component thereof at the Company’s option. **THIS WARRANTY IS EXCLUSIVE AND IN LIEU OF ALL OTHER WARRANTIES, WHETHER OR NOT STATUTORY, OR EXPRESSED OR IMPLIED, INCLUDING WITHOUT LIMITATION, THE IMPLIED WARRANTIES OF MERCHANTABILITY AND FITNESS FOR A PARTICULAR PURPOSE. THE EXCLUSIVE REMEDY FOR DEFECTIVE LADDER SHALL BE ONLY IN CONTRACT, WHETHER OR NOT CAUSED BY A DEFECTIVE LADDER, OR NEGLIGENCE. COMPANY’S LIABILITY FOR LOSS OR DAMAGES SHALL NOT EXCEED THE PRICE PAID BY CUSTOMER FOR THE LADDER, REGARDLESS OF THE FORM OF ANY CLAIM. IN NO EVENT SHALL COMPANY BE LIABLE FOR ANY SPECIAL, INCIDENTAL, INDIRECT, CONSEQUENTIAL, OR PUNITIVE DAMAGES WHATSOEVER RESULTING FROM ANY DEFECTIVE LADDER OR COMPONENT THEREOF. IF MODIFICATION OR ALTERATION IS MADE TO THE LADDER OR COMPONENT THEREOF BY OTHER THAN COMPANY AUTHORIZED PERSONS, OR IF IT IS INSTALLED IMPROPERLY, OR MISUSED, ABUSED AND/OR NEGLECTED, THIS LIMITED WARRANTY IS NULL AND VOID AND OF NO EFFECT. THIS LIMITED WARRANTY DOES NOT APPLY AND THE COMPANY WILL HAVE NO RESPONSIBILITY HEREUNDER FOR NORMAL WEAR AND TEAR.**

Halliday Products, Inc.
6401 Edgewater Dr
Orlando, FL 32810
Toll Free: 800-298-1027
Fax: 407-298-4534
Email: Info@HallidayProducts.com